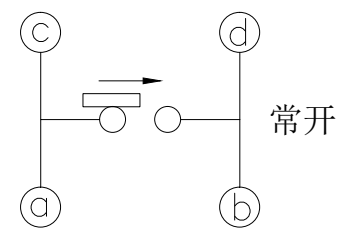


PCB Layout(Pattern side)

PART NO.	H	H1
01	8.5	1
02	11.0	2
03	12.3	2
04	13.7	2



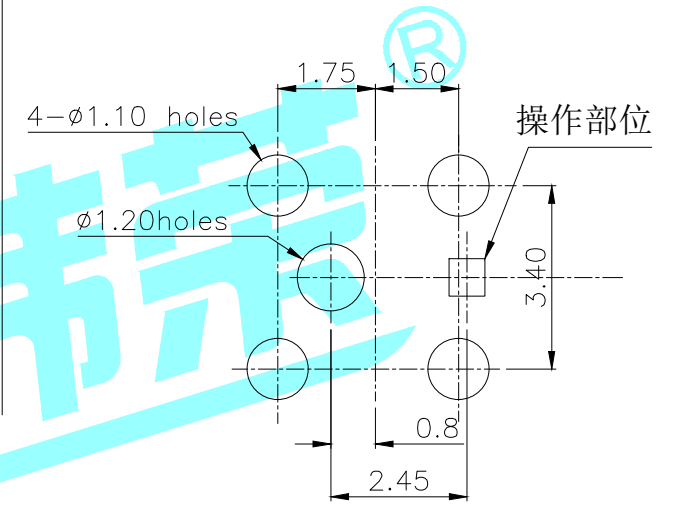
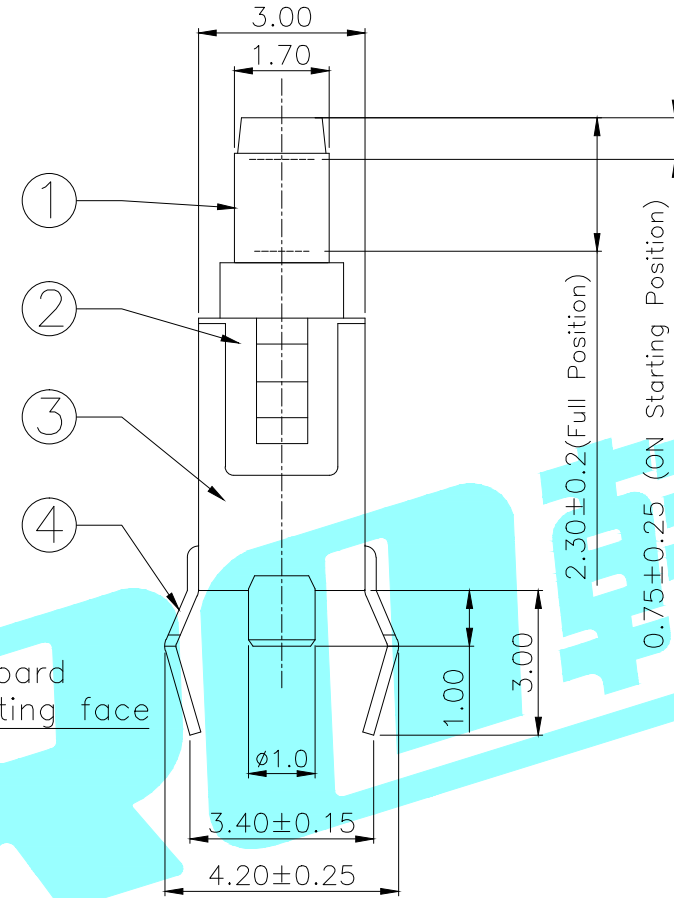
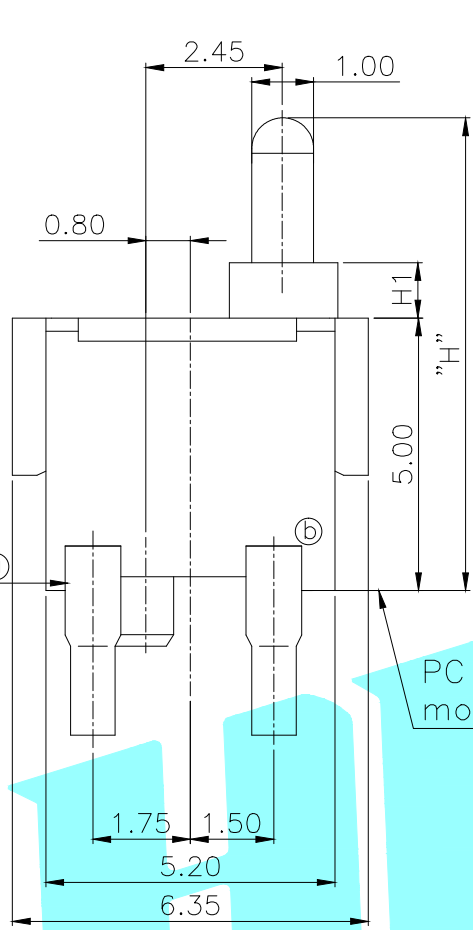
Circuit Diagram

NOTE:
 Rating: DC 30V 0.1A
 Operating Force: 40±10gf
 Lifetime: 100,000 Cycles

⑤	Contact Spring	—	1	Phosphor Bronze	Ag Plated	—
④	Terminal	—	4	Phosphor Bronze	Ag Plated	—
③	Base	—	1	NYLON	Black	—
②	Cover	—	1	NYLON	Black	—
①	Knob	—	1	NYLON	Black	—
ITEM	PART NAME	TER'NO.	QTY.	MATERIAL	FINISHING	REMARK

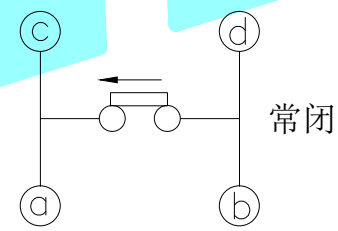
APPROVALS		DATE	东莞市溪榜电子有限公司 DONG GUAN XI BANG ELECTRONICS CO., LTD.			
DRAWN		2015.08.18	TITLE:	DETECTOR SWITCHES		
CHECKED		2015.08.18	PART NO.			
APPROVALS		2015.08.18	UNIT: mm	SCALE: 1:1	PROJ:	
TOLERANCES ARE		30~以上 ±0.30 10~30 ±0.20 5~10 ±0.15 ~ 5 ±0.10	ANGLE	±2°	DRAWING NO.	SHEET 1 OF 1

ECN NO.	REV.	DATE.	DESCRIPTION.	CHANGE.	CHECK.	APPRO.
	A		NEW			



PCB Layout(Pattern side)

PART NO.	H	H1
K5-1130DA-05	8.5	1
K5-1130DA-06	11.0	2



Circuit Diagram

NOTE:
 Rating: DC 30V 0.1A
 Operating Force: 40±10gf
 Lifetime: 100,000 Cycles

⑤	Contact Spring	—	1	Phosphor Bronze	Ag Plated	—
④	Terminal	—	4	Phosphor Bronze	Ag Plated	—
③	Base	—	1	NYLON	Black	—
②	Cover	—	1	NYLON	Black	—
①	Knob	—	1	NYLON	Black	—
ITEM	PART NAME	TER'NO.	QTY.	MATERIAL	FINISHING	REMARK

APPROVALS		DATE		 ELECTRONICS CO.,LTD									
DRAWN	LIUCAN	2020.12.17					TITLE:	DETECTOR SWITCHES					
CHECKED				PART NO.	K5-1130DA-□□								
APPROVALS				TOLERANCES ARE	<table border="1"> <tr> <td>30~以上</td> <td>±0.30</td> </tr> <tr> <td>10~30</td> <td>±0.20</td> </tr> <tr> <td>5~10</td> <td>±0.15</td> </tr> <tr> <td>~ 5</td> <td>±0.10</td> </tr> </table>	30~以上	±0.30	10~30	±0.20	5~10	±0.15	~ 5	±0.10
30~以上	±0.30												
10~30	±0.20												
5~10	±0.15												
~ 5	±0.10												
		ANGLE	±2'	UNIT: mm	SCALE: 1:1	PROJ:							
ECN NO.	REV.	DATE.	DESCRIPTION.	CHANGE.	CHECK.	APPRO.							

ECN NO.	REV.	DATE.	DESCRIPTION.	CHANGE.	CHECK.	APPRO.
	A		NEW			