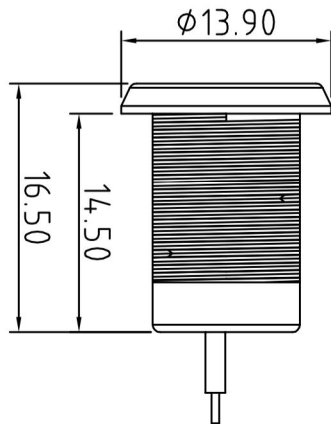
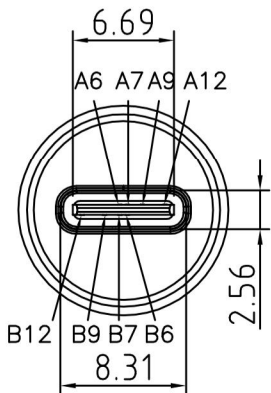


ROHS

REV.	ECN. NO.	APPD.

M11螺母标配铁镀白锌，可定制不锈钢/铜。

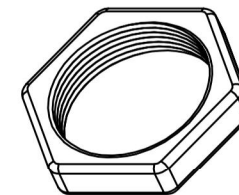


INTERFACE(FRONT VIEW)

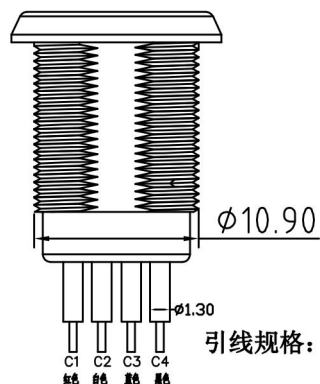
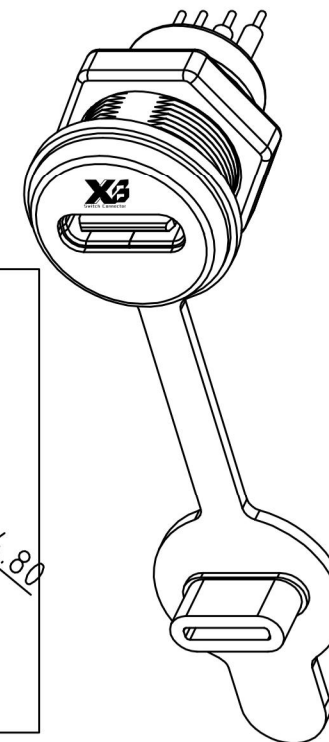
A1	A2	A3	A4	A5	A6	A7	A8	A9	A10	A11	A12
GND			VBUS		DN1	DN1		VBUS			GND
B12	B11	B10	B9	B8	B7	B6	B5	B4	B3	B2	B1

PIN ASSIGNMENT

PIN NO.	A9&B9	A7&B7	A6&B6	A1&B12
SIGNAL NAME	VBUS	DN1&DN2	DP1&DP2	GND
PCB PAD NO.	C1	C2	C3	C4



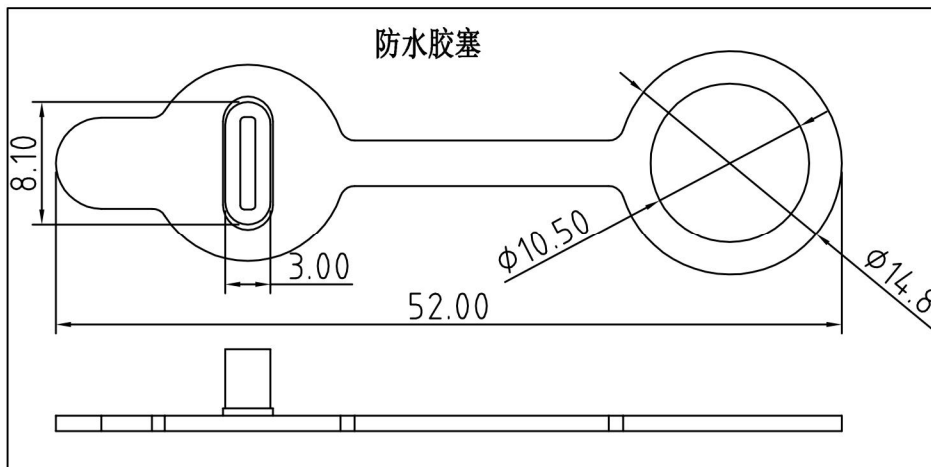
组装示意图



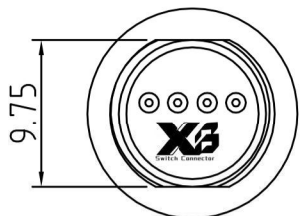
引线规格: 1007#24AWG

PIN ASSIGNMENT

PIN NO.	A9&B9	B7	B6	A1&B12
SIGNAL NAME	VBUS	DN2	DP2	GND
PCB PAD NO.	C1	C2	C3	C4



防水胶塞



SPECIFICATION

1. Rating: DC5V/9V 3A:
2. Contact resistance: $\leq 0.03 \Omega$:
3. Insulation resistance: $\geq 100M \Omega$ (DC250V)
4. Withstand voltage: 500VAC:
5. Insertion and extraction force: 5-20N
6. Life test: 10000 cycles:

X.	± 0.50	X.°	$\pm 2^\circ$	UNITS	mm
.X	± 0.30	.X°	$\pm 1^\circ$		
.XX	± 0.10	.XX°	$\pm 0.5^\circ$	MAT'L	
.XXX	± 0.05				
THESE DRAWINGS AND SPECIFICATIONS ARE THE PROPERTY OF XI BANG ELECTRONIC TECHNOLOGY CO., LTD. AND SHALL NOT BE REPRODUCED, COPIED OR USED IN ANY MANNER WITHOUT THE PRIOR WRITTEN CONSENT OF XI BANG ELECTRONIC TECHNOLOGY CO., LTD.				FINISH	
				Q'TY	

X3 东莞市溪榜电子有限公司
Switch Connector DONG GUAN XI BANG ELECTRONICS CO., LTD

PART NO.	XB-USB-C-4P-3008	TITLE:	TYPE C 4P 焊线带外螺牙螺母
APPD:	GAO. PENG	DWG NO.:	XB-USB-C-4P-3008
RADDOM		CHKD:	HE. LONG. FEI
MARK		DR:	PANG. DONG
		SCALE	SHEET
		1/1	1/2
		REV.	A1