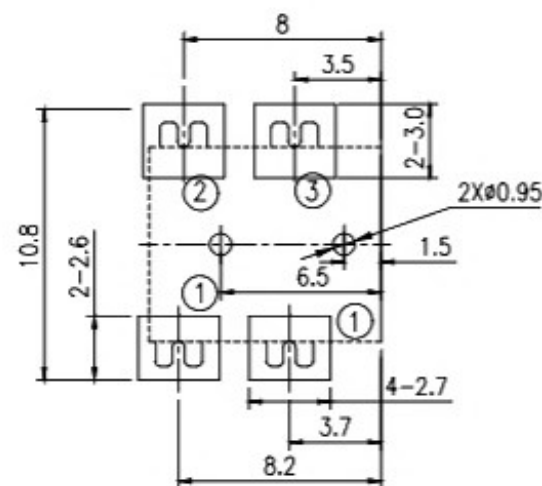
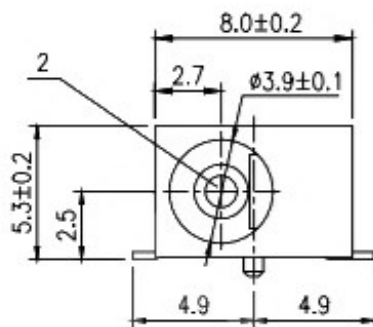
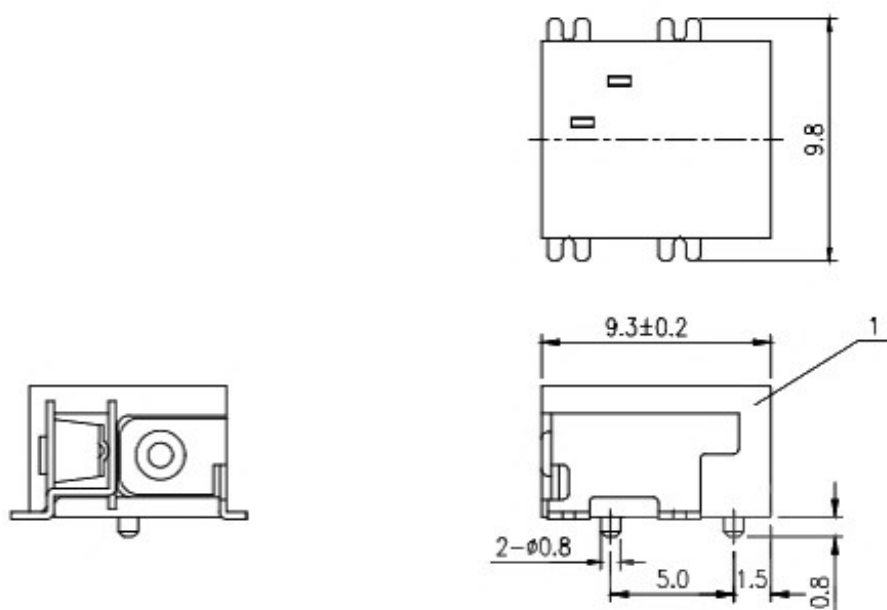
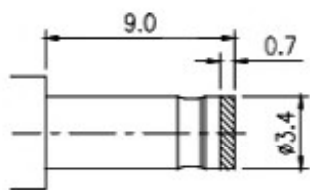


RoHS
Compliant

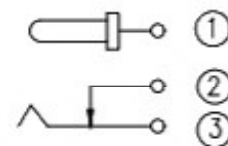
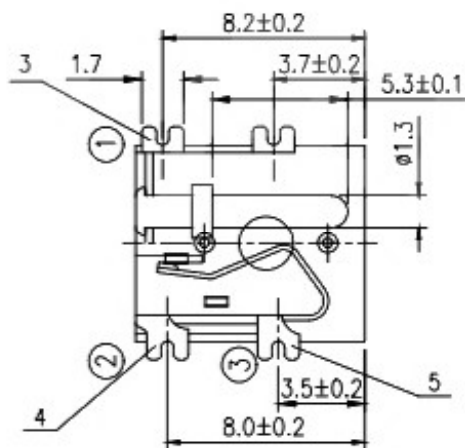
SYMBOL	REVISION	APPROVAL	DATE



P.C.B LAYOUT
TOP VIEW



MATE PLUG



CIRCUIT

NO.	PARTS	MATERIAL	QTY.	FINISHING
5	TERMINAL	C5210	1	Ag PLATED
4	TERMINAL	C2680	1	Ag PLATED
3	TERMINAL	C2680	1	Ag PLATED
2	PIN	C3604	1	Ni PLATED
1	HOUSING	PPA	1	BLACK

 东莞市溪榜电子有限公司

COPYRIGHT RESERVED, PLEASE DO NOT COPY.

PART NAME		DC POWER JACK		DRAWING		M.M.Zhang		DWG.No.		SBD17	
PART NO.				CHECK		G.C.Chen		REV.		A	
UNIT :		TOLERANCE		APPROVAL				DATE			
mm		OTHERWISE		SCALE		3:1		PAGE		1 OF 1	
		UP TO 5 ±0.2									
		ABOVE 5 ~30 ±0.3									
		ABOVE 30 ±0.5									
		ANGLE ±3°									