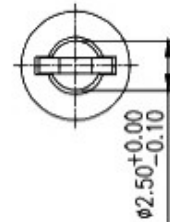
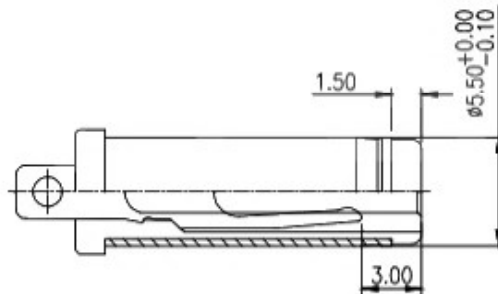
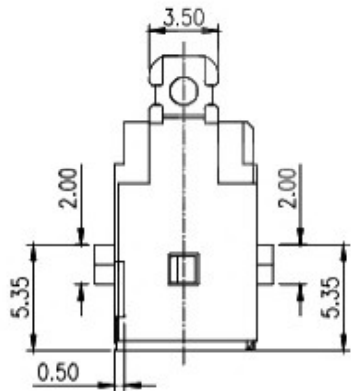


SCHMATIC



6	GROUND	STAINLESS	1	NATURAL
5	SHIELDING	BRASS STRIP	1	Ni PLATED
4	PIN	BRASS BAR	1	Ag PLATED
3	TERMINAL	STAINLESS	1	NAURAL
2	TIP SPRING	COPPER ALLOY	1	Ag PLATED
1	BODY	THERMOPLASTIC UL94V-0	1	BLACK
NO.	PARTS	MATERIAL	QTY.	FINISHING

DONG GUAN XI BANG ELECTRONIC CO., LTD

COPYRIGHT RESERVED, PLEASE DO NOT COPY.

PART NAME		DC POWER JACK		DRAWING		Y.C.ZHANG		DWG.No.	
PART NO.				CHECK		G.C.Chen		REV. A	
UNIT :		TOLERANCE		ANGLE		APPROVAL		DATE	
mm		UP TO 5 ±0.2		° ±3'		SCALE		PAGE	
		OTHERWISE				3:1		1 OF 1	
		ABOVE 5~30 ±0.3							
		ABOVE 30 ±0.5							
		ANGLE ±3'							