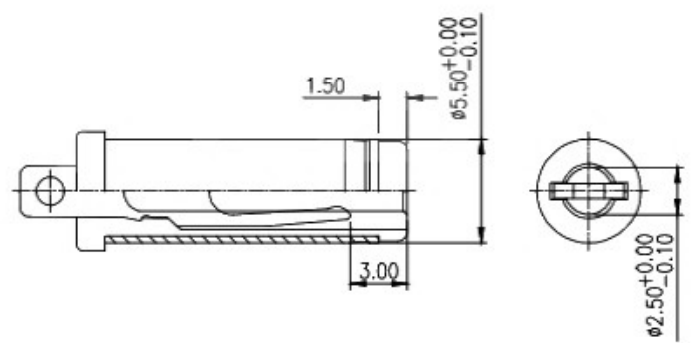
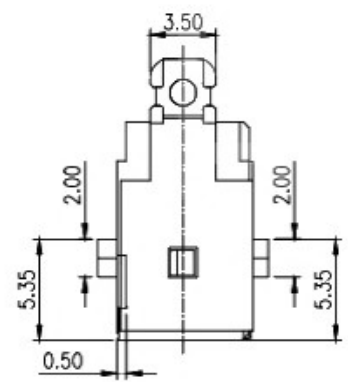


SCHEMATIC



NO.	PARTS	MATERIAL	QTY.	FINISHING
6	GROUND	STAINLESS	1	NATURAL
5	SHIELDING	BRASS STRIP	1	Ni PLATED
4	PIN	BRASS BAR	1	Ag PLATED
3	TERMINAL	STAINLESS	1	NAURAL
2	TIP SPRING	COPPER ALLOY	1	Ag PLATED
1	BODY	THERMOPLASTIC UL94V-0	1	BLACK

DONG GUAN XI BANG ELECTRONIC CO., LTD

COPYRIGHT RESERVED, PLEASE DO NOT COPY.

PART NAME		DC POWER JACK		DRAWING		Y.C.ZHANG		DWG.No.	
PART NO.				CHECK		G.C.Chen		REV. A	
UNIT : mm		TOLERANCE OTHERWISE		ANGLE		APPROVAL		DATE	
		UP TO 5 ±0.2		3°		SCALE		PAGE	
		ABOVE 5~30 ±0.3		7±3'		3:1		1 OF 1	
		ABOVE 30 ±0.5							
		ANGLE 4.3'							