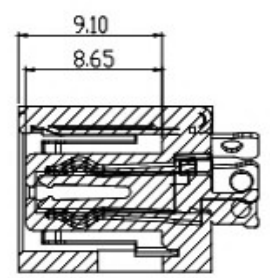
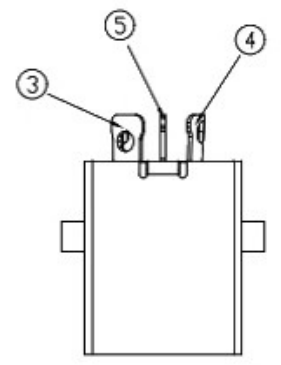


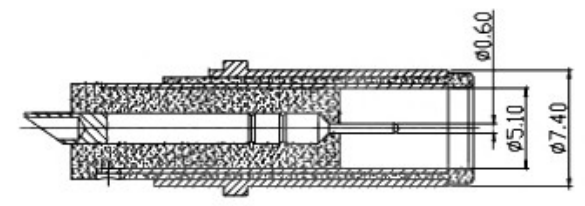
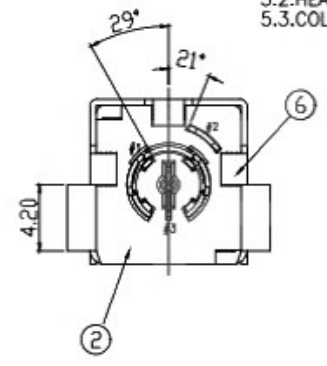
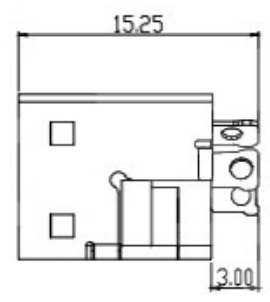
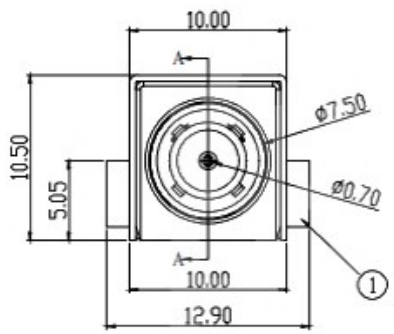
RoHS Compliant  
Halogen Free

**SPECIFICATIONS**

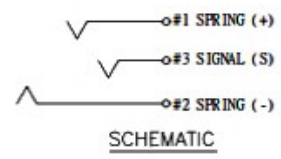
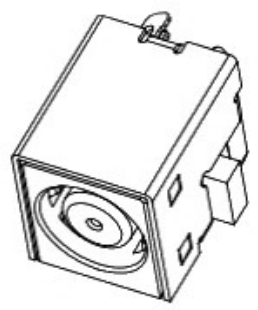
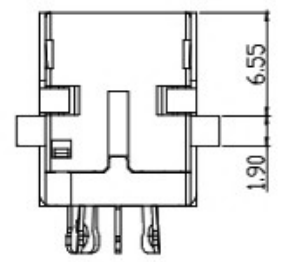
1. ELECTRICAL CHARACTERISTICS:
  - 1-1. RATING: DC 8A 24V
  - 1-2. CONTACT RESISTANCE: 30mΩ MAX(INITIAL)
  - 1-3. DIELECTRIC WITHSTANDING VOLTAGE: 500V AC FOR ONE MINUTE
  - 1-4. INSULATION RESISTANCE: 100MΩ MIN, MEASURED BY 500V DC
2. MECHANICAL PERFORMANCE
  - 2.1. OPERATING FORCE :0.5-3.0kgf
3. LIFE TEST
  - 3.1. ELECTRONICS LIFE TEST 5,000 CYCLES.
4. MEASURING CONDITION:
  - 4.1. TEMPERATURE: FROM 5°C TO 35°C.
  - 4.2. RELATIVE HUMIDITY: FROM 45% TO 85%RH.
5. ENVIRONMENTAL SPECIFICATIONS:
  - 5.1. HUMIDITY TEST: HUMIDITY 90% TO 95% TEMPERATURE 40±2°C FOR 96 HOURS.
  - 5.2. HEAT TEST: TEMPERATURE 80±2°C (HUMIDITY BELOW 50%)
  - 5.3. COLD TEST: TEMPERATURE -40±2°C FOR 96 HOURS.



A-A SECTION  
1:1



MATING PLUG (TOLERANCE:±0.05)



| No. | DESCRIPTION | MATERIAL | PLATING   |
|-----|-------------|----------|-----------|
| 1   | HOUSING     | PPA      | BLACK     |
| 2   | COVER       | PPA      | BLACK     |
| 3   | SPRING (-)  | C5210    | Au PLATED |
| 4   | SPRING (+)  | C5210    | Au PLATED |
| 5   | SIGNAL (S)  | C5210    | Au PLATED |
| 6   | SHELL       | C2680    | Ni PLATED |

DONG GUAN XI BANG ELECTRONIC CO., LTD

COPYRIGHT RESERVED, PLEASE DO NOT COPY.

|              |                                      |               |              |          |  |          |  |
|--------------|--------------------------------------|---------------|--------------|----------|--|----------|--|
| PART NAME    |                                      | DC POWER JACK |              | DRAWING  |  | DWG. No. |  |
| PART NO.     |                                      |               |              | CHECK    |  | REV. A   |  |
| UNIT :<br>mm | TOLERANCE UNLESS OTHERWISE SPECIFIED | X.X ± 0.3     | ANGLE<br>±2° | APPROVAL |  | DATE     |  |
|              |                                      | X.XX ± 0.2    |              |          |  |          |  |
|              |                                      | X.XXX ± 0.1   |              | SCALE    |  | PAGE     |  |
|              |                                      |               |              | 1:1      |  | 1 OF 1   |  |