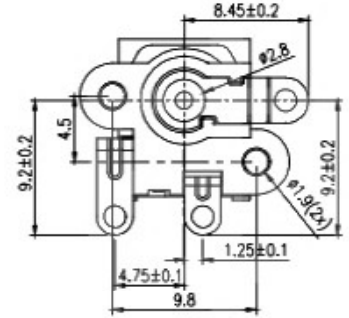
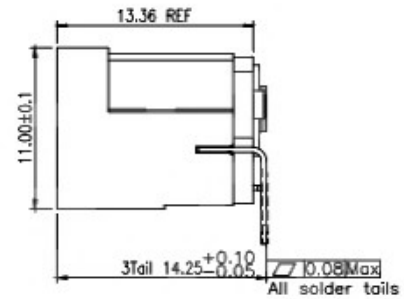
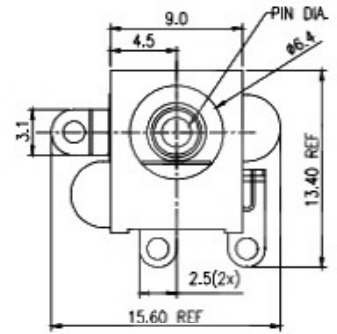
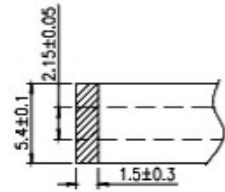


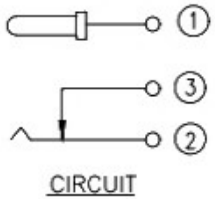
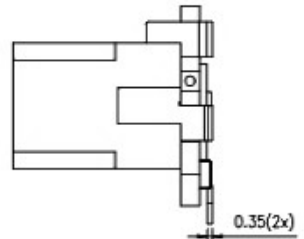
PCB LAYOUT TOP VIEW



- 主要技术规格:
1. 额定值: 7A DC20V
 2. 接触电阻: 50mΩ
 3. 插拔力: 3-20N
 4. 使用温度: -25°C T0+85°C
 5. 绝缘电阻: 100MΩ
 6. 抗电强度: 500V 50HZ 1Min.
 7. 寿命: 5000 Cycles



MATE PLUG



Model No.	1	2	3	4
PIN#(X)	1.65	2.0	2.35	2.5

7	MYLAR	POLYIMIDE FILM	1	NATURAL
6	COVER	HIGH TEMP PLASTIC	1	BLACK
5	HOUSING	HIGH TEMP PLASTIC	1	BLACK
4	PIN	COPPER ALLOY	1	Ni PLATED
3	TERMINAL	COPPER ALLOY	1	Ag PLATED
2	TERMINAL	COPPER ALLOY	1	Ag PLATED
1	TERMINAL	COPPER ALLOY	1	Ag PLATED
NO.	PARTS	MATERIAL	QTY.	FINISHING

DONG GUAN XI BANG ELECTRONIC CO., LTD

PART NAME		DC POWER JACK		DRAWING		y.c.zhang		DWG.No.		Robin	
PART NO.				CHECK		G.C.Chen		REV.		A	
UNIT :		TOLERANCE		UP TO 5		±0.2		ANGLE		APPROVAL	
mm		OTHERWISE		ABOVE 5~30		±0.3		0°±5'		DATE	
				ANGLE 30		±0.5		SCALE		PAGE	
				ANGLE ±3'				2:1		1 OF 1	

COPYRIGHT RESERVED,PLEASE DO NOT COPY.