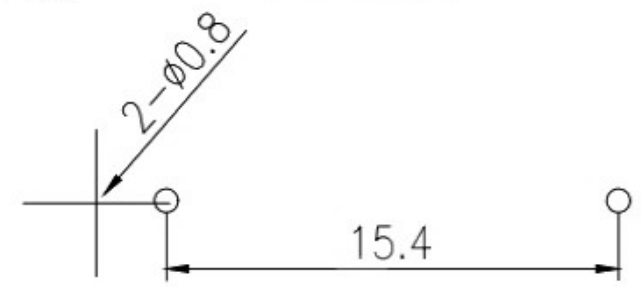
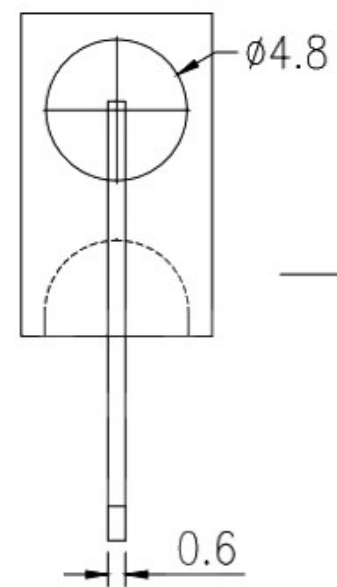
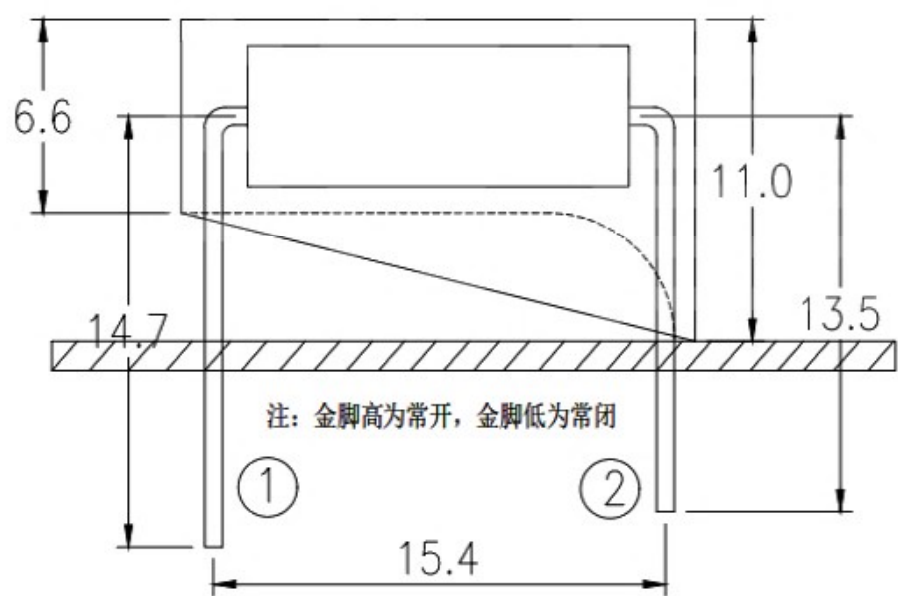


CIRCUIT



P.C.B LAYOUT
TOP VIEW



注：金脚高为常开，金脚低为常闭

电气特性: Electrical:

- 1. 额定电流: 0.2A
- 2. 额定电压: 12V
- 3. 导通时间: 约2ms
- 4. 开路电阻: >10M ohm
- 5. 耐温: -40℃~+80℃
- 6. 闭路电阻: <2 ohm
- 7. 端子拉力: 500gf/min
- 8. 湿度: 95RH 40℃, 96H
- 9. 操作寿命: 80,000周期以上

DONG GUAN XI BANG ELECTRONIC CO., LTD

COPYRIGHT RESERVED, PLEASE DO NOT COPY.

PART NAME		CONNECTOR		DRAWING		Y,C,ZHANG	DWG.No.	SBICL
PART NO.				CHECK		G.C.Chen	REV.	A1
UNIT : mm	TOLERANCE OTHERWISE	UP TO 5	±0.2	ANGLE	APPROVAL		DATE	
		ABOVE 5~30	±0.3					
		ABOVE 30	±0.5	σ±3°	SCALE	2:1	PAGE	1 OF 1
		ANGLE	±3°					