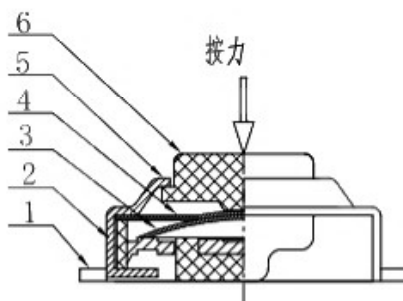
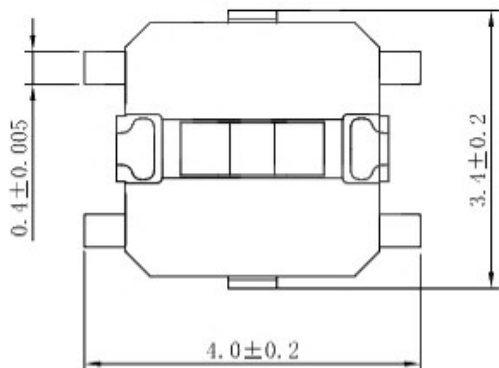
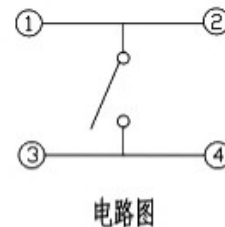


PCB 焊盘尺寸



高度	PCS/盘
H=1.5mm	4000
H=1.6mm	4000
H=1.7mm	4000
H=2.0mm	4000
H=2.5mm	3000

NO.	NAME	MATERIAL	FINISHING
1	TERMINAL	phosphorous bronze	Silver plating
2	CASE	LCP	Black
3	CONTACT	SUS301	Silver plating
4	Waterproof membrane	PI	Yellow
5	COVER	SUS304	White
6	STEM	LCP	Black

SPECIFICATIONS	
Operating temperature ranges	-30° to +85°
Rating	DC 12V 50mA Max.
Contact Resistance	100mΩ Max
Dielectric strength	250V AC for 1min.
Travel	0.15±0.1mm
Operating Force	1 2 3 4
Operating Life(cycles)	50,000 100,000 100,000

DONG GUAN XI BANG ELECTRONIC CO., LTD

COPYRIGHT RESERVED, PLEASE DO NOT COPY.

PART NAME		SWITCH		DRAWING		Y,C,ZHANG		DWG.No.		SBICL	
PART NO.				CHECK		G.C.Chen		REV.		A1	
UNIT : mm		TOLERANCE OTHERWISE		ANGLE		APPROVAL		DATE			
		UP TO 5 ±0.2 ABOVE 5~30 ±0.3 ABOVE 30 ±0.5 ANGLE ±3°		0°±3°		SCALE		2:1		PAGE 1 OF 1	