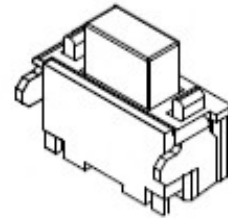
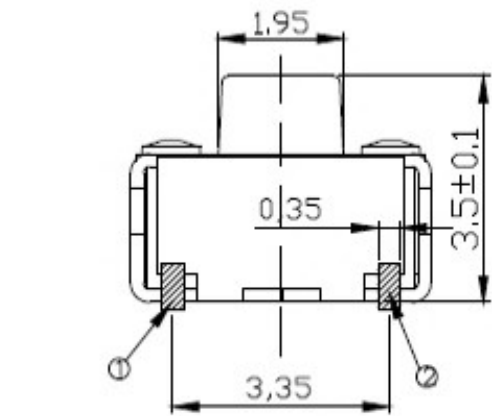
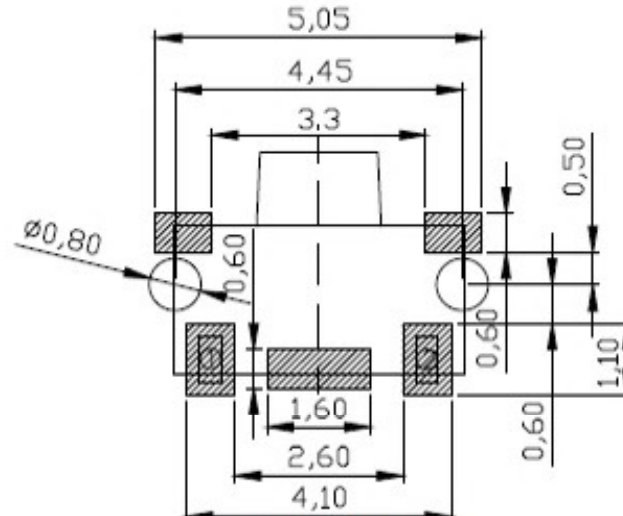
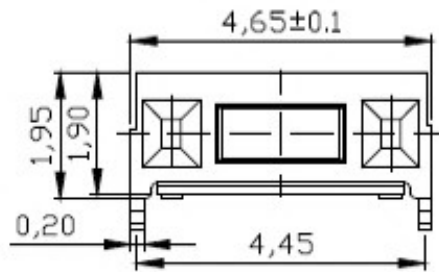
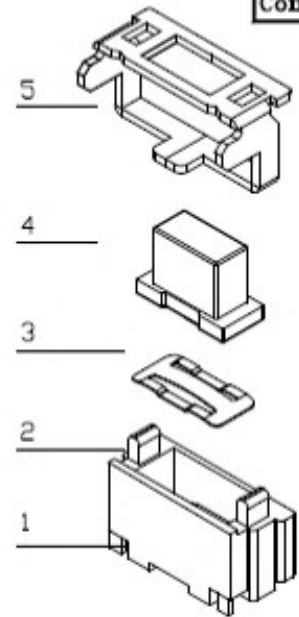


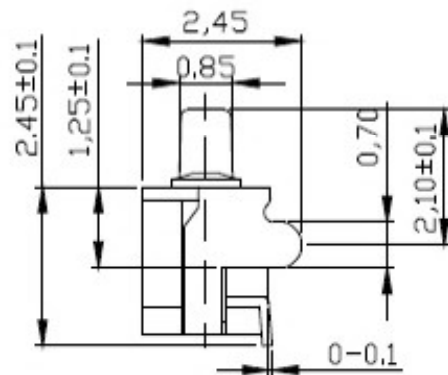
RoHS
Compliant



电路图
SCHEMATIC



印制线路板开孔
P.C.B. HOLE DETAIL



主要技术规格:

1. 额定值: 0.5A DC12V
2. 接触电阻: 100mΩ
3. 操作力: 180±40gf
4. 绝缘电阻: 100MΩ
5. 抗电强度: 250V 50HZ 1Min
6. 行程: 0.20±0.1mm
7. 寿命: 50000 Cycles

材料:

- 1按钮: LCP耐温280 (白色)
- 2盖板: 磷铜 (镀银)
- 3簧片: 不锈钢 (覆银)
- 4底座: LCP耐温280 (黑色)
- 5引脚: 磷铜 (镀银)

DONG GUAN XI BANG ELECTRONIC CO., LTD

PART NAME		TACT SWITCH		DRAWING		Y,C,ZHANG		DWG.No.		SBICL	
PART NO.				CHECK		G.C.Chen		REV.		A1	
UNIT :	mm	TOLERANCE OTHERWISE	UP TO 5	±0.3	ANGLE	APPROVAL	SCALE	DATE	PAGE	25-06-2016	1 OF 1
			ABOVE 5 ~30	±0.3							
			ABOVE 30	±0.5			2:1				
			ANGLE	±5'							

COPYRIGHT RESERVED,PLEASE DO NOT COPY.