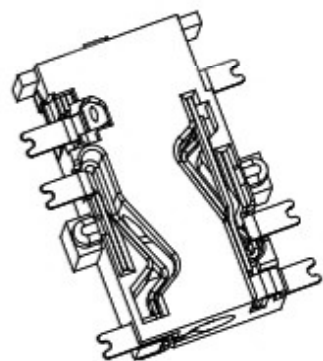
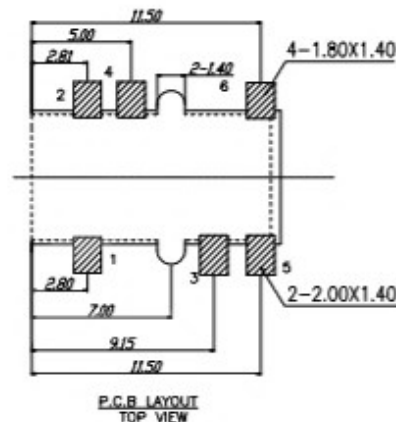
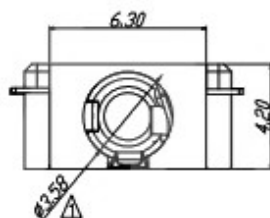
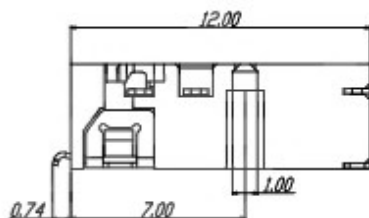
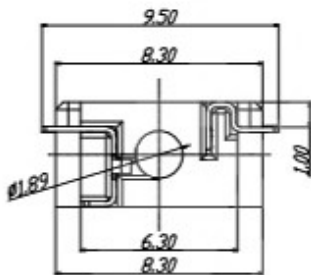
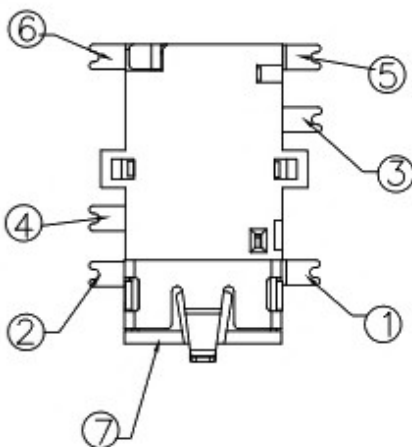
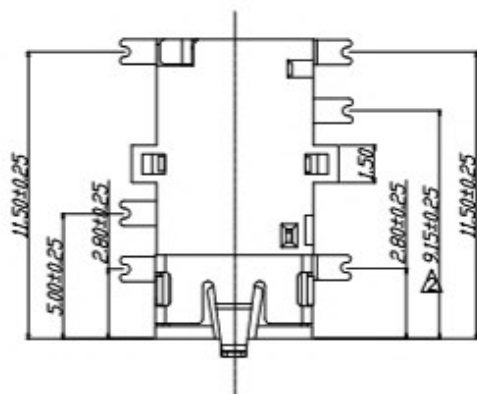


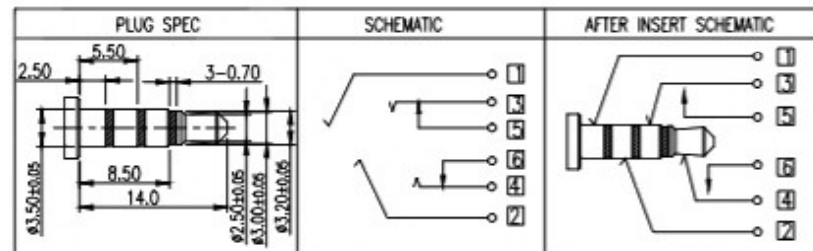
NOTES:

1. REQUEST OF THE SPECIFICATION:

- 1.1 CONTACT CURRENT RATING: 1A.;
- 1.2 CONTACT RESISTANCE: 50 mΩ MAX.;
- 1.3 INSULATION RESISTANCE: 100MΩ MIN.;
- 1.4 DIELECTRIC WITHSTANDING: 500V AC MIN.;
- 1.5 DURABILITY: 5,000 CYCLES MIN.;
- 1.6 CONNECTOR MATING FORCES: 29.8N (3.00KgF) MAX.;
- 1.7 CONNECTOR UNMATING FORCES: 2.98N(0.30KgF) MIN.;



3D VIEW



7	TERMINAL 6#	1		
6	TERMINAL 5#	1	PHOSPHOR BRONZE; NICKEL UNDER PLATING OVERALL, GOLD PLATING ON SOLDER AREA ;GOLD PLATING ON CONTACT AREA	
5	TERMINAL 4#	1		
4	TERMINAL 3#	1	PHOSPHOR BRONZE; NICKEL UNDER PLATING OVERALL, GOLD PLATING ON SOLDER AREA ;GOLD PLATING ON CONTACT AREA	
3	TERMINAL 2#	1		
2	TERMINAL 1#	1	PHOSPHOR BRONZE; THE BOTTOM OF THE NICKEL; THE WHOLE GOLD PLATING.	
1	HOUSING	1	PPA COLOR BLACK	
ITEM	NAME	QTY	DESCRIPTION	NOTE



东莞市溪榜电子有限公司

COPYRIGHT RESERVED, PLEASE DO NOT COPY.

PART NAME		PHONE JACK		DRAWING		Y,C,ZHANG		DWG.No.		SBICL	
PART NO.		PJ-3510-W		CHECK		G.C.Chen		REV.		A1	
UNIT :	TOLERANCE	UP TO 5	±0.2	ANGLE	APPROVAL	SCALE	DATE	PAGE	1 OF 1		
		ABOVE 5 ~ 30	±0.3							0°±3'	
mm	OTHERWISE	ABOVE 30	±0.5			2:1					