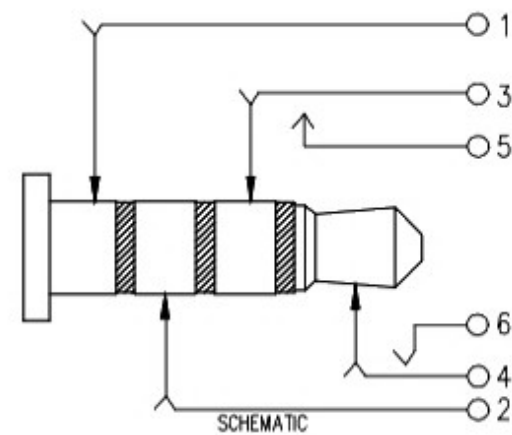
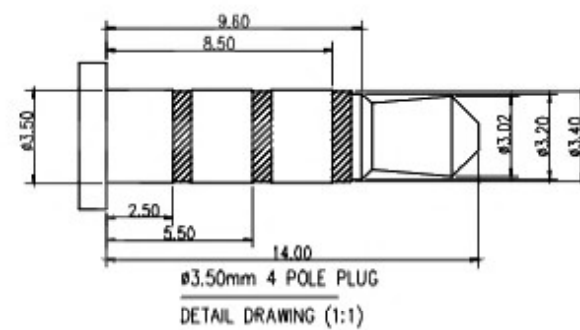
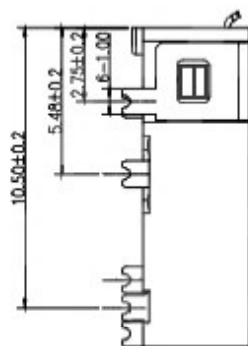
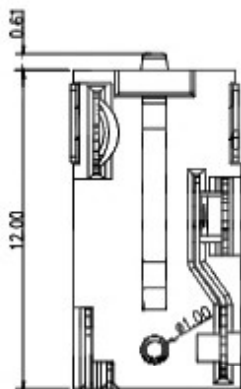
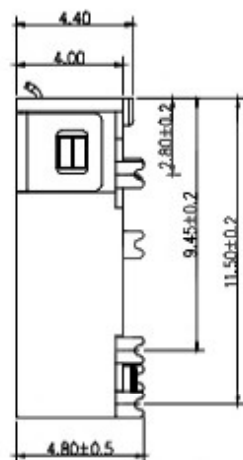


RECOMMENDED PCB LAYOUT(TOP VIEW)
(GENERAL TOLERANCE ± 0.05)
REC

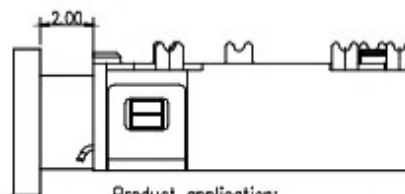


SCHEMATIC



$\phi 3.50$ mm 4 POLE PLUG
DETAIL DRAWING (1:1)

7	HOUSING	GRIVORY HT	BLCK	
6	TERMNAL 6	COPPER ALLOY	—	AU PLATED
5	TERMNAL 5	COPPER ALLOY	—	AU PLATED
4	TERMNAL 4	COPPER ALLOY	—	AU PLATED
3	TERMNAL 3	COPPER ALLOY	—	AU PLATED
2	TERMNAL 2	COPPER ALLOY	—	AU PLATED
1	TERMNAL 1	COPPER ALLOY	—	AU PLATED
NO.	DESCRIPTION	MAT.L	COLOR	REMARK



Product application:
The spring working position when Plug-in

NOTES:

- CONTACT CURRENT RATING: 0.5A.
- CONTACT RESISTANCE: 30 mΩ MAX.;
- INSULATION RESISTANCE: 100Ω MIN.;
- DIELECTRIC WITHSTANDING: 500V AC MIN.;
- DURABILITY: 5,000 CYCLES MIN.;
- CONNECTOR MATING FORCES: 20N (2.00Kgf) MAX.;
- CONNECTOR UNMATING FORCES: 2.94N(0.30Kgf) MIN.;