

性能:

额定电流: 2.0A

额定电压: 12V

耐电压: 500V

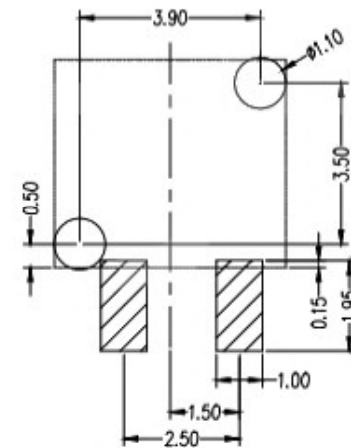
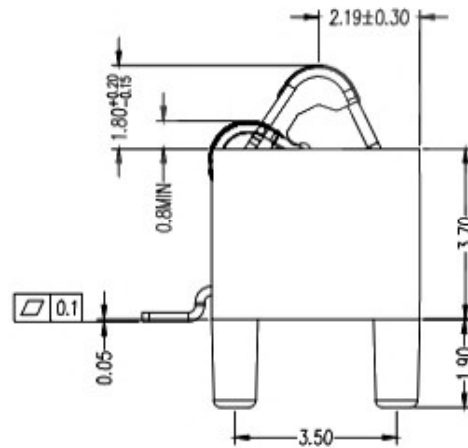
接触电阻: 30mΩ

绝缘电阻: 500MΩ

工作温度: -40℃~+85℃

塑料(材质): LCP 黑色

接触点(材质): 铜合金, 触点镀金30"



RECOMMENDED PCB LAYOUT
TOL:(±0.05)



东莞市溪榜电子有限公司

COPYRIGHT RESERVED, PLEASE DO NOT COPY.

PART NAME		CONNECTOR		DRAWING	Y,C,ZHANG	DWG.No.	SBICL
PART NO.				CHECK	G.C.Chen	REV.	A1
UNIT :	TOLERANCE OTHERWISE	UP TO 5	±0.2	APPROVAL		DATE	16-10-2019
		ABOVE 5 ~30	±0.3			PAGE	1 OF 1
mm		ABOVE 30	±0.5	SCALE	2:1		
		ANGLE	±3°				