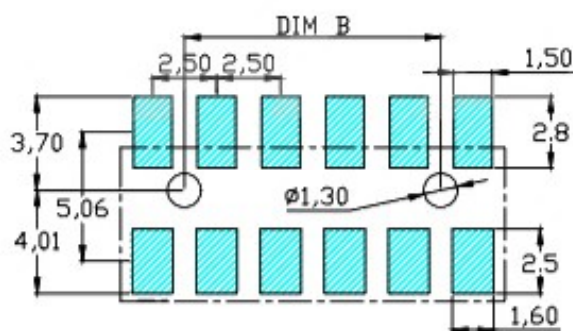
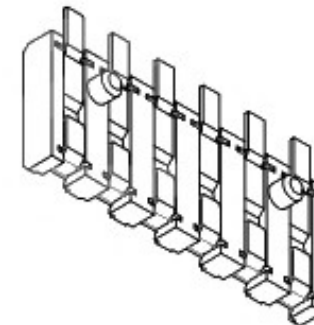
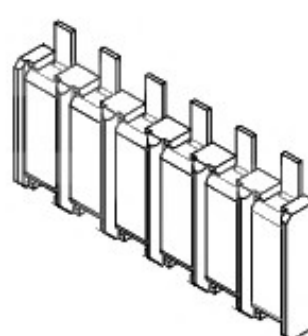
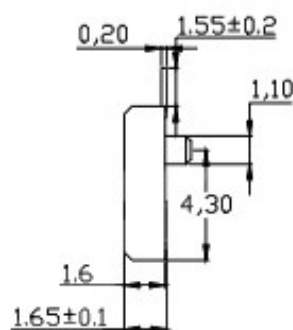
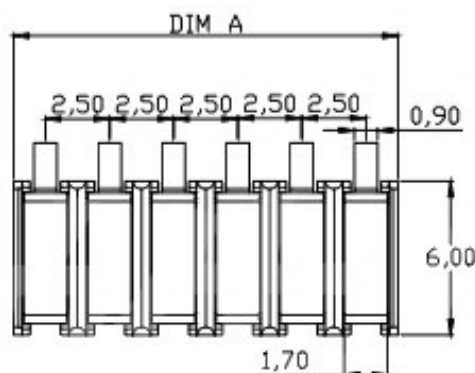
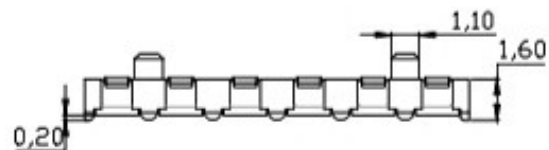
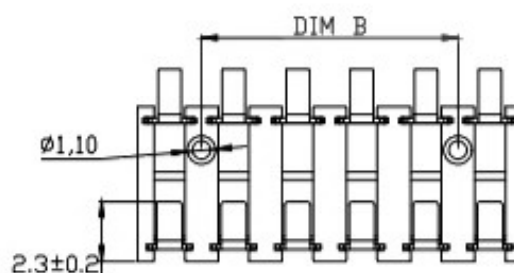


性能:


额定电流: 3.0A  
 额定电压: 60V  
 耐电压: 500V  
 接触电阻: 30mΩ  
 绝缘电阻: 500MΩ  
 工作温度: -55℃~+125℃  
 使用寿命: 10000次以上  
 塑件(材质): PA9T  
 接触点(材质): 黄铜C2680, 镀金



RECOMMENDED PCB LAYOUT  
 TOP VIEW (.XX±0.05)



规格	DIM A	DIM B
BC2P25H16	5.0	
BC3P25H16	7.5	2.5
BC4P25H16	10.0	5.0
BC5P25H16	12.5	7.5
BC6P25H16	15	10.0

PART NAME		CONNECTOR		DRAWING	Y,C,ZHANG	DWG.No.	SBICL
PART NO.				CHECK	G.C.Chen	REV.	A1
 UNIT : mm	TOLERANCE	UP TO 5	±0.2	APPROVAL		DATE	19-06-2013
	OTHERWISE	ABOVE 5~30	±0.3			ANGLE	PAGE
		ABOVE 30	±0.5	SCALE	2:1		
		ANGLE	±.7				