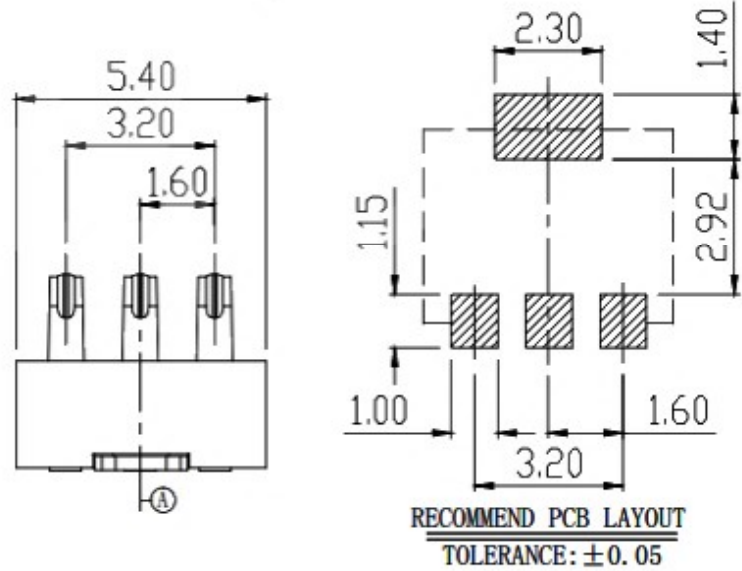
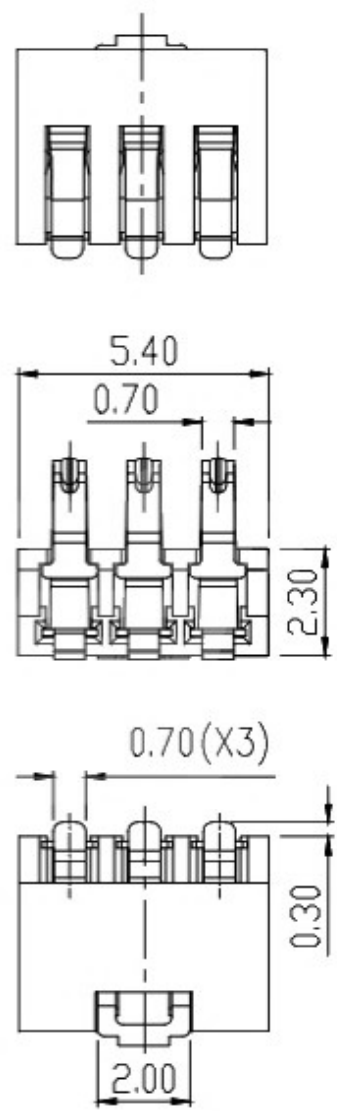
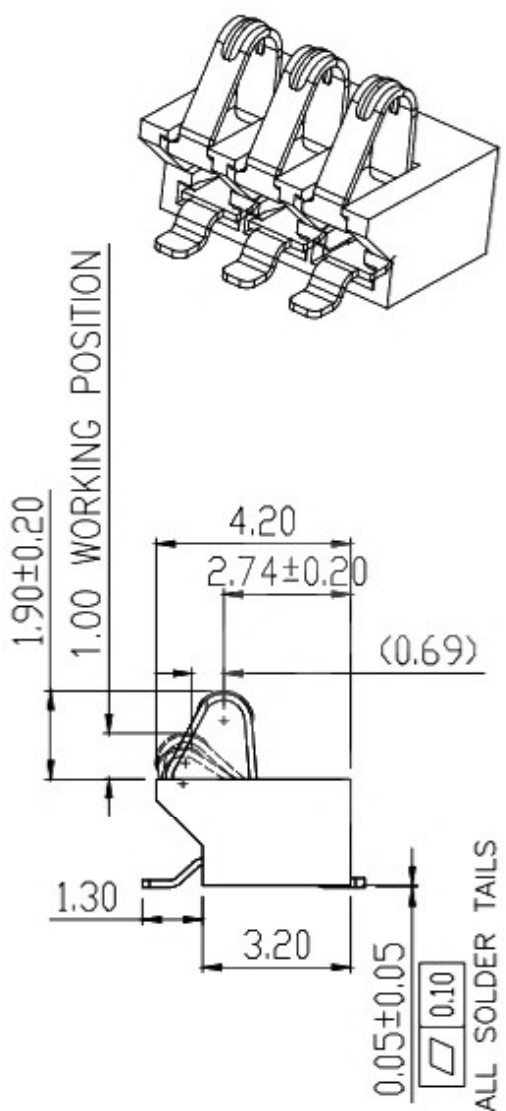


- 1.MATERIAL:
 - 1.1.Housing:HI-TEMP Plastic,UL94V-0,black;
 - 1.2.Terminal:Coppo alloy
 - 1.3 Latch:Stainless steel
- 2.FINISH:
 - 2.1Terminal: Plated Au on contact area, matte tin onthe solder tails underplated nickel over all.
 - 2.2Latch: Matte Tin On The Solder Tails.
- 3.Electrical Performance:
 - 3.1Contact Resistance:50mΩ Max;
 - 3.2Dielectric Withstanding Voltage: 350V AC rms for 1 minut;
 - 3.3Insulation Resistance:1000 MΩ Min;
- 4.Mechanical Performance:
 - 4.1Durability:3000 cycles;
- 5.PACKING:Tape&Reel;



PART NAME		CONNECTOR		DRAWING		Y.C,ZHANG		DWG.No.		SBICL	
PART NO.				CHECK		G.C.Chen		REV.		A1	
UNIT : mm	TOLERANCE OTHERWISE	UP TO 5	± 0.2	ANGLE	APPROVAL	SCALE	2:1	DATE	06-07-2015		
		ABOVE 5 ~30	± 0.3								
		ABOVE 30	± 0.5	0 ± 0.5				PAGE	1 OF 1		