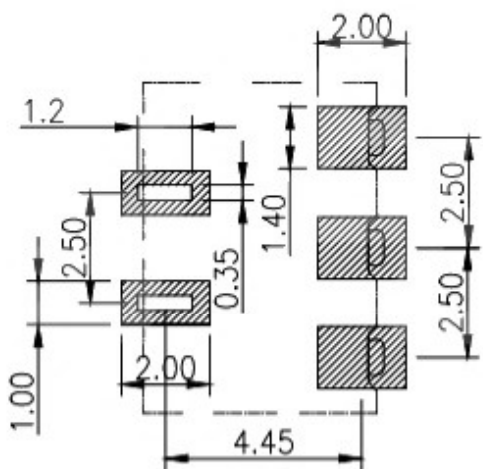
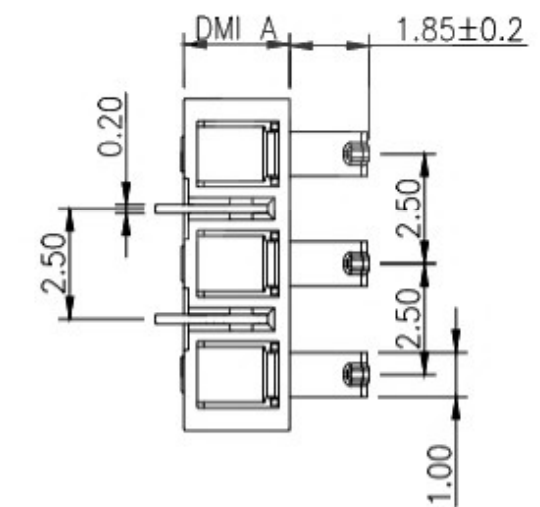
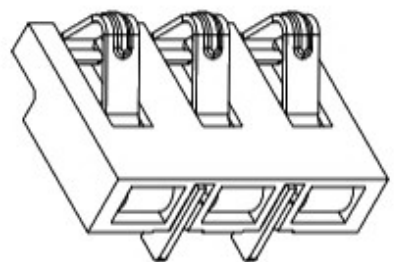
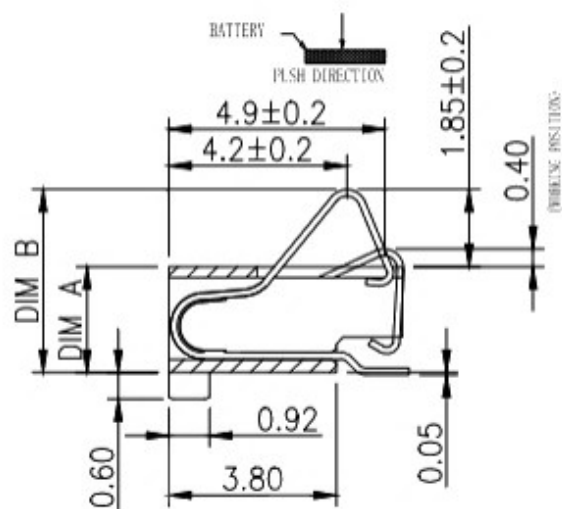
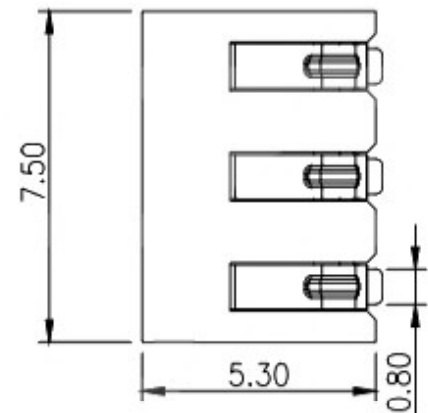


性能:

- 额定电流: 2.0A
- 额定电压: 12V
- 耐电压: 500V
- 接触电阻: 30mΩ
- 绝缘电阻: 500MΩ
- 工作温度: -40℃~+85℃
- 塑件(材质): LCP
- 接接触点(材质): 磷铜, 触点镀金3U"



RECOMMENDED PCB LAYOUT
TOP VIEW(.XX±0.05)



PART NO.	DIM A	DIM B
BC3P25H43-C	2.4	4.30±0.2
BC3P25H49-C	3.0	4.90±0.2
BC3P25H54-C	3.5	5.40±0.2

PART NAME		CONNECTOR		DRAWING	Y,C,ZHANG	DWG.No.	SBICL
PART NO.				CHECK	G.C.Chen	REV.	A1
UNIT : mm	TOLERANCE	UP TO 5	±0.2	APPROVAL		DATE	25-03-2018
	OTHERWISE	ABOVE 5~30	±0.3			SCALE	2:1
		ABOVE 30	±0.5				
		ANGLE	±3°				