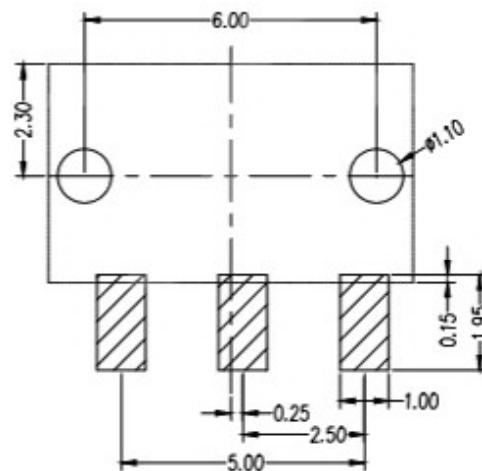


性能:

- 额定电流: 2.0A
- 额定电压: 12V
- 耐电压: 500V
- 接触电阻: $30m\Omega$
- 绝缘电阻: $500M\Omega$
- 工作温度: $-40^{\circ}\text{C} \sim +85^{\circ}\text{C}$
- 塑件(材质): LCP 黑色
- 接触点(材质): 铜合金, 触点镀金 $3U''$



RECOMMENDED PCB LAYOUT
TOL:(± 0.05)

PART NAME		CONNECTOR		DRAWING		Y.C,ZHANG		DWG.No.		SBICL	
PART NO.				CHECK		G.C.Chen		REV.		A1	
UNIT :	mm	TOLERANCE OTHERWISE	UP TO 5	± 0.2	ANGLE	APPROVAL		DATE	16-10-2019	PAGE	1 OF 1
			ABOVE 5 ~ 30	± 0.3							
			ABOVE 30	± 0.5		SCALE	2:1				