

F

E

D

C

B

A

RoHS
Compliant

SYMBOL	REVISION	APPROVAL	DATE

SPECIFICATIONS

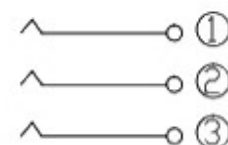
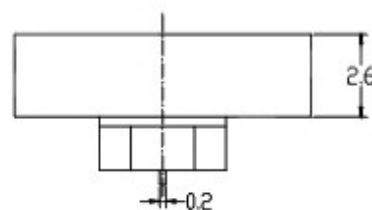
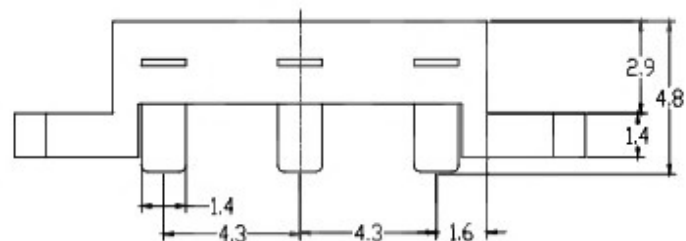
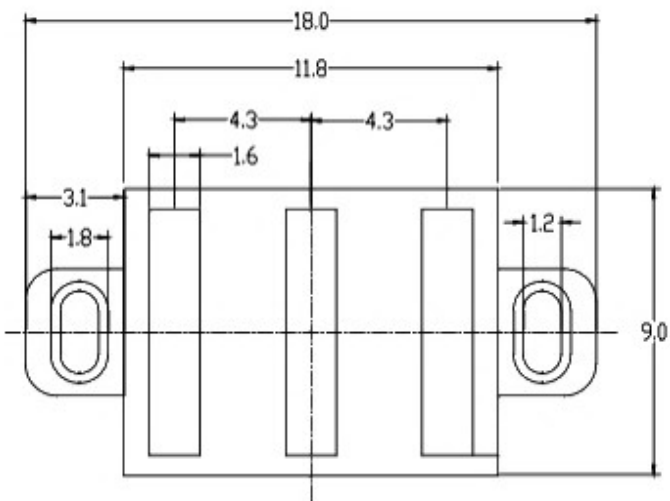
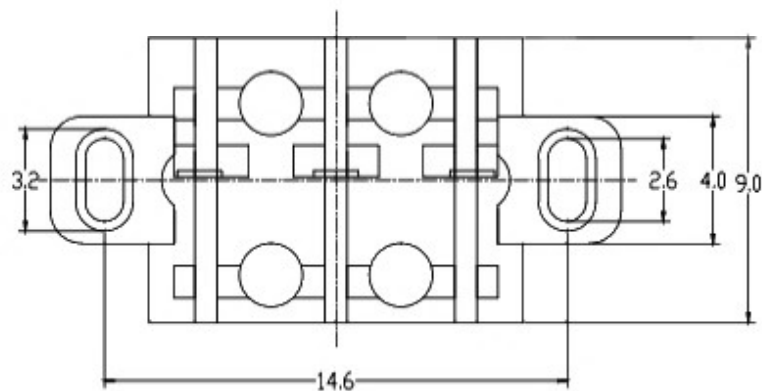
1. ELECTRICAL CHARACTERISTICS:

1-1.RATING: DC 12V 2A

1-2.CONTACT RESISTANCE: 30mΩ MAX(INITAL)


1-3.DIELECTRIC WITHSTANDING VOLTAGE:

500V AC FOR ONE MINUTE

1-4.INSULATION RESISTANCE: 1000MΩ MIN,
MEASURED BY 500V DCCIRCUIT

东莞市溪榜电子有限公司

COPYRIGHT RESERVED,PLEASE DO NOT COPY.

PART NAME		CONNECTOR			DRAWING	Y,C,ZHANG	DWG.No.	SBICL
PART NO.					CHECK	G.C.Chen	REV.	A1
 UNIT : mm	TOLERANCE	UP TO 5	±0.2	ANGLE	APPROVAL	DATE	22-02-2017	
	OTHERWISE	ABOVE 5 ~30	±0.3					σ±3
		ABOVE 30	±0.5		SCALE	2:1	PAGE	1 OF 1
		ANGLE	±3					

F

E

D

C

B

A