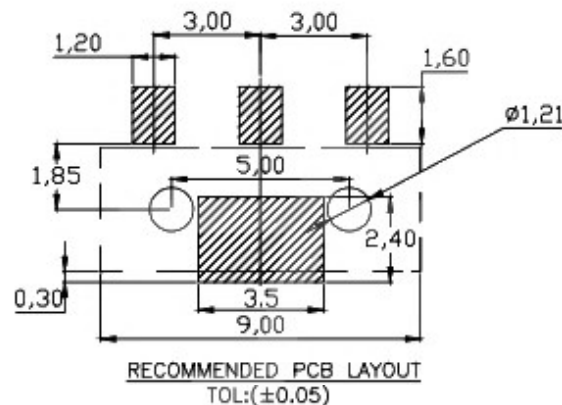
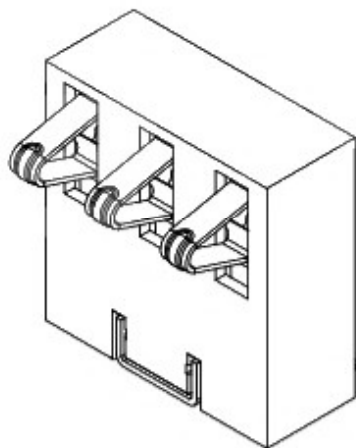
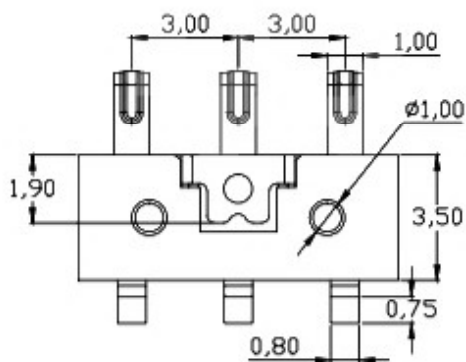


**SPECIFICATIONS**

1. ELECTRICAL CHARACTERISTICS:
  - 1-1.RATING: DC 20V 3A max
  - 1-2.CONTACT RESISTANCE: 20mΩ MAX(INITAL)
  - 1-3.DIELECTRIC WITHSTANDING VOLTAGE: 500V AC FOR ONE MINUTE
  - 1-4.INSULATION RESISTANCE: 100MΩ MIN, MEASURED BY 500V DC
2. LIFE TEST-MECHANICAL LIFE TEST 10,000 CYCLES MIN
3. TEMPERATURE RISE : 30°C MAX



规格型号	DIM A	DIM B	DIM C
BC3P30H80	8.0±0.15	5.9±0.3	6.9±0.3
BC3P30H90	9.0±0.15	6.9±0.3	7.9±0.3
BC3P30H100	10.0±0.15	7.9±0.3	8.9±0.3

PART NAME		CONNECTOR		DRAWING		Y.C,ZHANG		DWG.No.		SBICL	
PART NO.				CHECK		G.C.Chen		REV.		A1	
UNIT : mm	TOLERANCE OTHERWISE	UP TO 5	±0.2	ANGLE	APPROVAL	SCALE	2:1	DATE	10-10-2011		
		ABOVE 5~30	±0.3						PAGE	1 OF 1	
		ABOVE 30	±0.5	0°±3'							