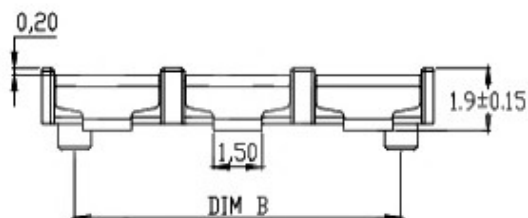
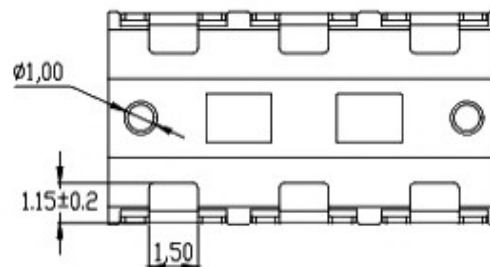
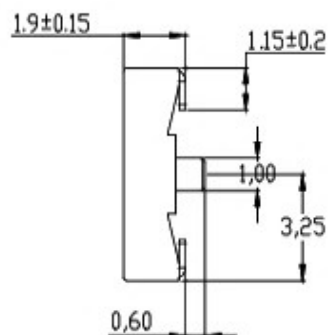
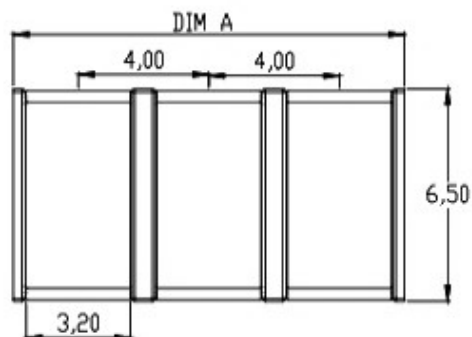
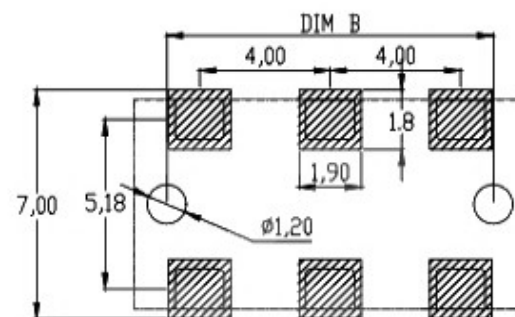


RoHS
Compliant

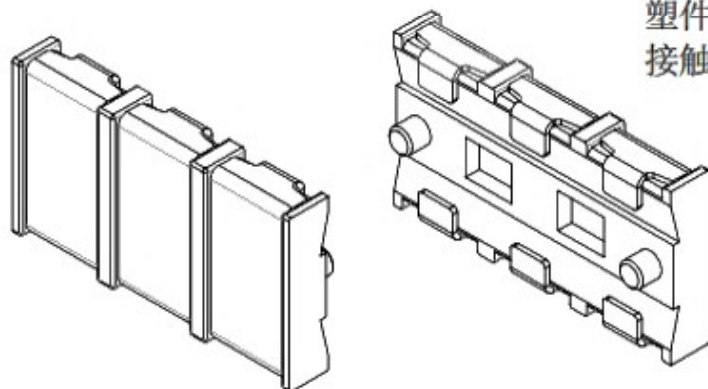


性能:

额定电流: 5.0A
 额定电压: 30V
 耐电压: 500V
 接触电阻: 30mΩ
 绝缘电阻: 500MΩ
 工作温度: -55℃~+125℃
 使用寿命: 10000次以上
 塑件(材质): PA9T黑色
 接触点(材质): 黄铜C2680, 镀金



RECOMMENDED PCB LAYOUT
TOP VIEW(.XX±0.05)



规格	DIM A	DIM B
BC1P40H190	4.0	2.0
BC2P40H190	8.0	6.0
BC3P40H190	12.0	10.0
BC4P40H190	16.0	14.0
BC5P40H190	20.0	18.0
BC6P40H190	24.0	22.0



东莞市溪榜电子有限公司

COPYRIGHT RESERVED, PLEASE DO NOT COPY.

PART NAME		CONNECTOR		DRAWING	Y,C,ZHANG	DWG.No.	SBICL
PART NO.				CHECK	G.C.Chen	REV.	A1
UNIT : mm	TOLERANCE	UP TO 5	±0.2	APPROVAL		DATE	18-06-2019
	OTHERWISE	ABOVE 5 ~ 30	±0.3			SCALE	2:1
		ABOVE 30	±0.5				
		ANGLE	±3'				