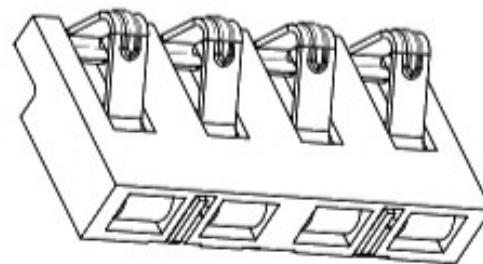
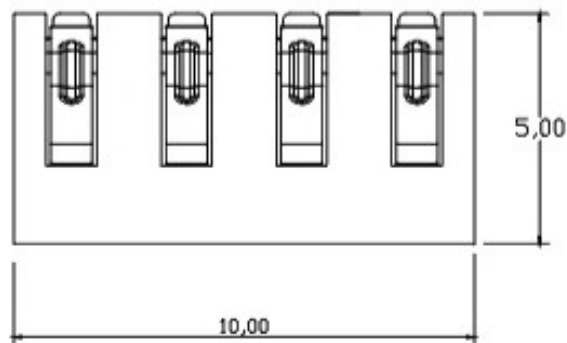


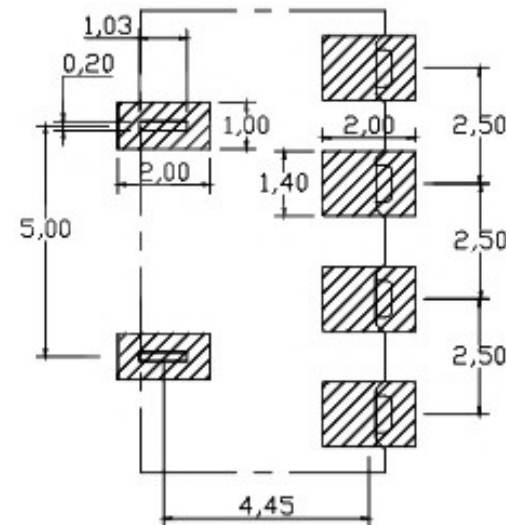
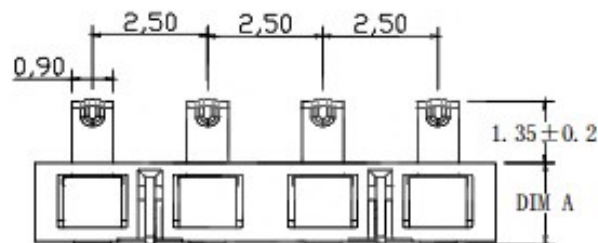
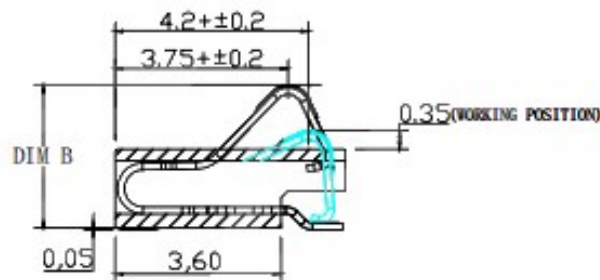
性能:

- 额定电流: 2.0A
- 额定电压: 12V
- 耐电压: 500V
- 接触电阻: 30mΩ
- 绝缘电阻: 500MΩ
- 工作温度: -40℃~+85℃
- 塑件(材质): LCP
- 接触点(材质): 磷铜, 镀金

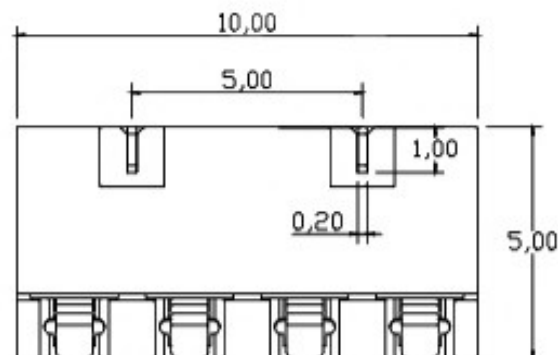


PUSH DIRECTION

BATTERY



RECOMMENDED PCB LAYOUT
TOP VIEW(.XX±0.05)



PART NO.	DIM A	DIM B
BC4P25H305	1.70	3.05±0.2
BC4P25H335	2.0	3.35±0.2