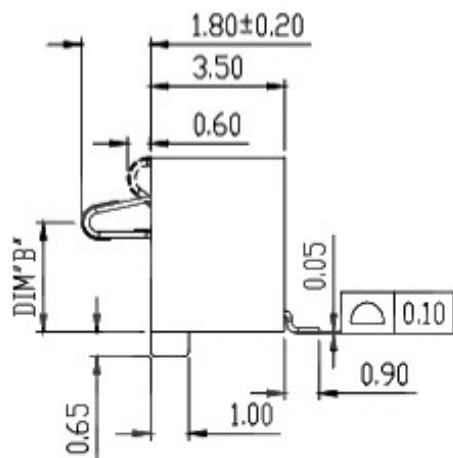
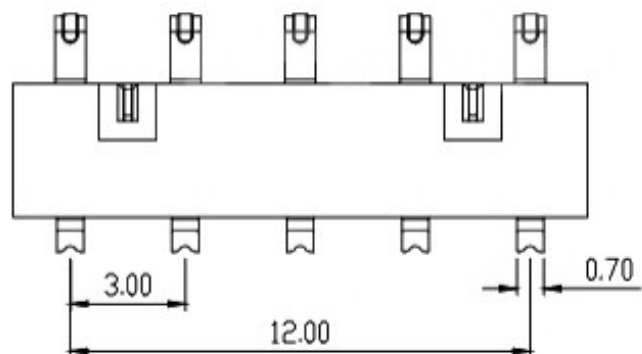
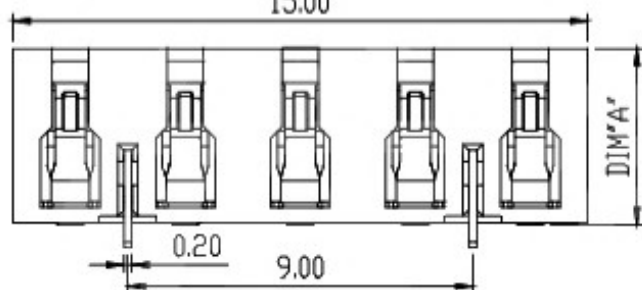
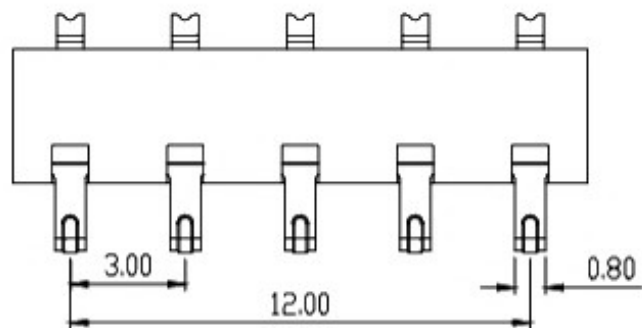
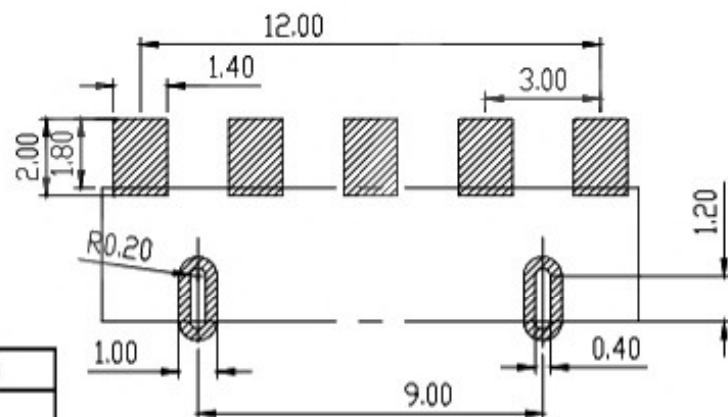


性能:

额定电流: 2.0A  
 额定电压: 12V  
 耐电压: 500V  
 接触电阻: 30mΩ  
 绝缘电阻: 500MΩ  
 工作温度: -40℃~+85℃  
 塑件(材质): LCP 黑色  
 接触点(材质): 铜合金



规格型号	DIM A	DIM B
BC5P30H72-C06	7.2	5.5
BC5P30H65-C06	6.5	4.8
BC5P30H50-C06	5.0	3.3
BC5P30H46-C06	4.6	2.9



RECOMMENDED PCB LAYOUT  
TOL:(±0.05)

PART NAME		CONNECTOR		DRAWING	Y.C,ZHANG	DWG.No.	SBICL
PART NO.				CHECK	G.C.Chen	REV.	A1
UNIT : mm	TOLERANCE OTHERWISE	UP TO 5 ABOVE 5~30 ABOVE 30 ANGLE	±0.2 ±0.3 ±0.5 ±3°	APPROVAL		DATE	
				SCALE	2:1	PAGE	1 OF 1