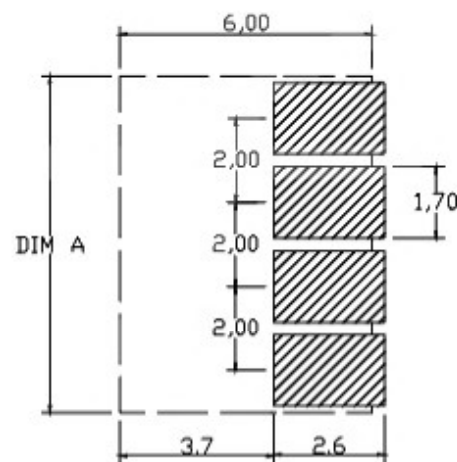
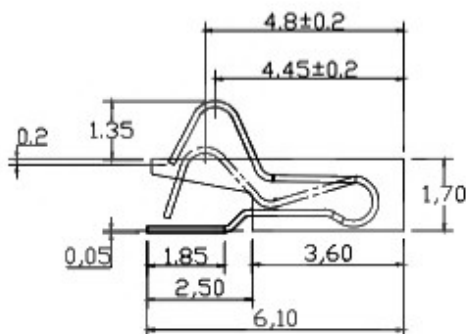
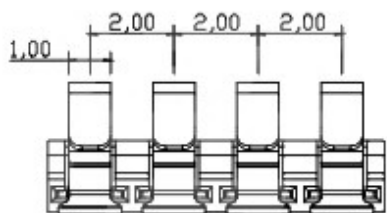


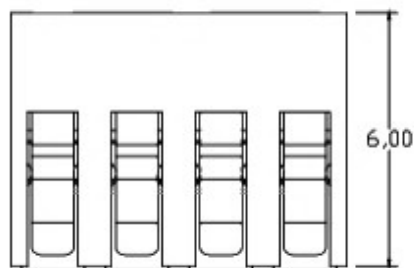
性能:

- 额定电流: 2.0A
- 额定电压: 12V
- 耐电压: 500V
- 接触电阻: 30mΩ
- 绝缘电阻: 500MΩ
- 工作温度: -40℃~+85℃
- 塑件(材质): LCP
- 接触点(材质): 磷铜, 触点镀金3U",
- 使用寿命: 5000次以上




RECOMMENDED PCB LAYOUT

TOP VIEW (. XX±0.05)



| Pin数 | PART NO. | DIM A |
|------|-----------|-------|
| 2Pin | BC2P20H31 | 4.0 |
| 3Pin | BC3P20H31 | 6.0 |
| 4Pin | BC4P20H31 | 8.0 |
| 5Pin | BC5P20H31 | 10.0 |
| 6Pin | BC6P20H31 | 12.0 |
| 7Pin | BC7P20H31 | 14.0 |
| 8Pin | BC8P20H31 | 16.0 |

| PART NAME | | CONNECTOR | | | DRAWING | Y.C,ZHANG | DWG.No. | SBICL |
|---|-----------|------------|------|-------|----------|-----------|---------|------------|
| PART NO. | | | | | CHECK | G.C.Chen | REV. | A1 |
|  UNIT : mm | TOLERANCE | UP TO 5 | ±0.2 | ANGLE | APPROVAL | | DATE | 12-01-2014 |
| | OTHERWISE | ABOVE 5~30 | ±0.3 | | ±3° | SCALE | 2:1 | PAGE |