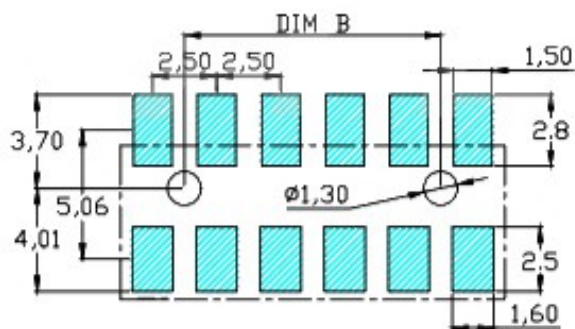
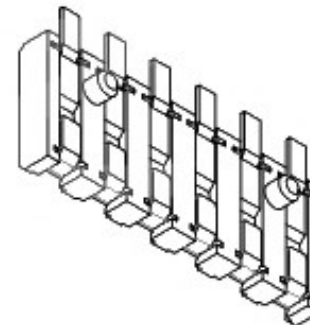
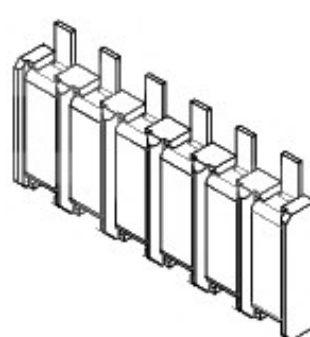
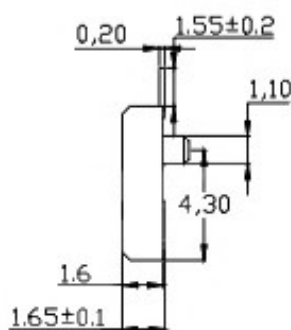
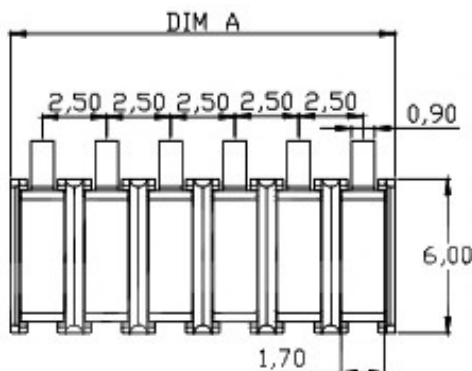
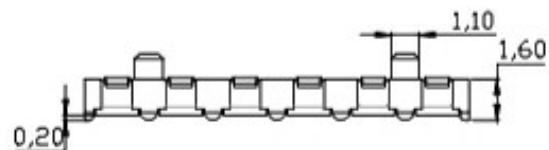
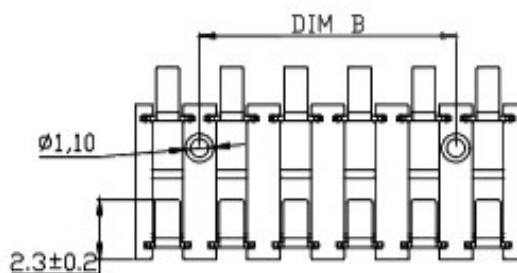


性能:


额定电流: 3.0A
 额定电压: 60V
 耐电压: 500V
 接触电阻: 30mΩ
 绝缘电阻: 500MΩ
 工作温度: -55℃~+125℃
 使用寿命: 10000次以上
 塑件(材质): PA9T
 接触点(材质): 黄铜C2680, 镀金



RECOMMENDED PCB LAYOUT
 TOP VIEW (.XX±0.05)



规格	DIM A	DIM B
BC2P25H16	5.0	
BC3P25H16	7.5	2.5
BC4P25H16	10.0	5.0
BC5P25H16	12.5	7.5
BC6P25H16	15	10.0

PART NAME		CONNECTOR		DRAWING	Y.C.ZHANG	DWG.No.	SBICL
PART NO.				CHECK	G.C.Chen	REV.	A1
 UNIT : mm	TOLERANCE	UP TO 5	±0.2	APPROVAL		DATE	19-06-2013
	OTHERWISE	ABOVE 5~30	±0.3			ANGLE	PAGE
		SCALE	2:1				