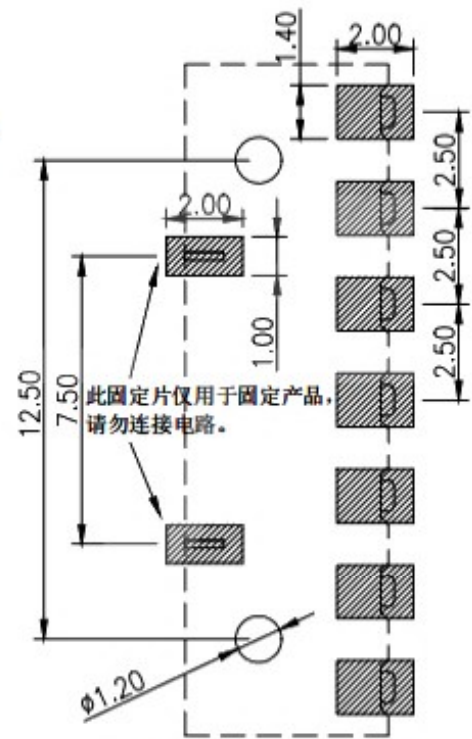
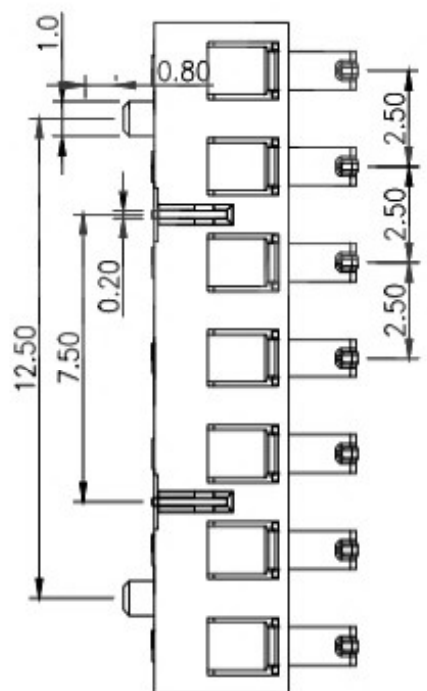
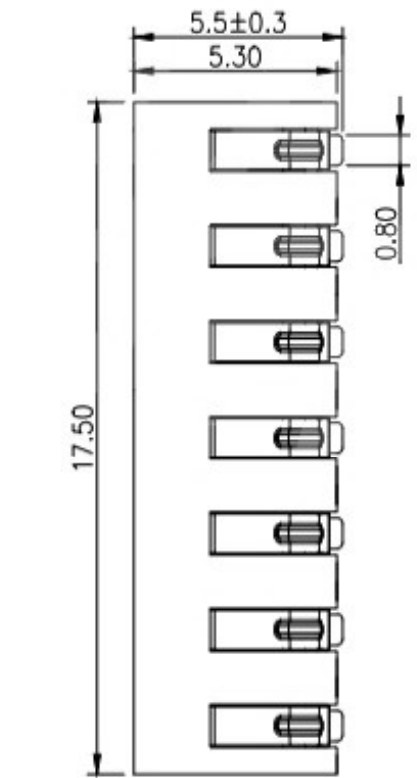


性能:

- 额定电流: 2.0A
- 额定电压: 12V
- 耐电压: 500V
- 接触电阻: 30mΩ
- 绝缘电阻: 500MΩ
- 工作温度: -40℃~+85℃
- 塑件(材质): LCP
- 接触点(材质): 磷铜, 触点镀金3U"



RECOMMENDED PCB LAYOUT
TOP VIEW (.XX±0.05)

PART NAME		CONNECTOR		DRAWING	Y,C,ZHANG	DWG.No.	SBICL
PART NO.				CHECK	G.C.Chen	REV.	A1
UNIT :	mm	TOLERANCE	UP TO 5	±0.2	ANGLE	APPROVAL	DATE
		OTHERWISE	ABOVE 5~30	±0.3	0°±3'	SCALE	PAGE
			ABOVE 30	±0.5		2:1	1 OF 1
			ANGLE	±3'			