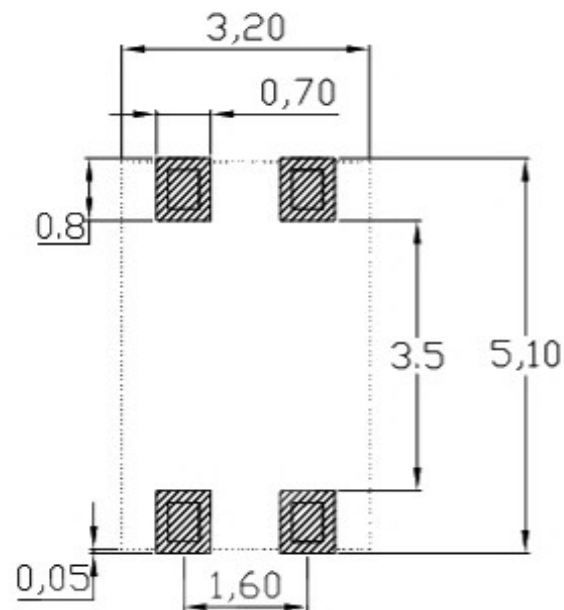
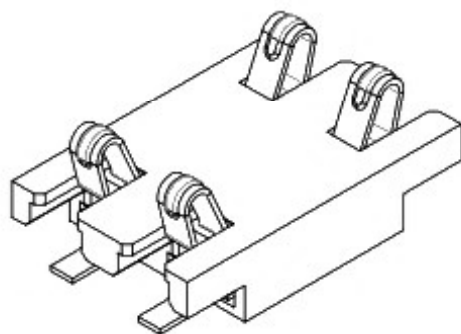
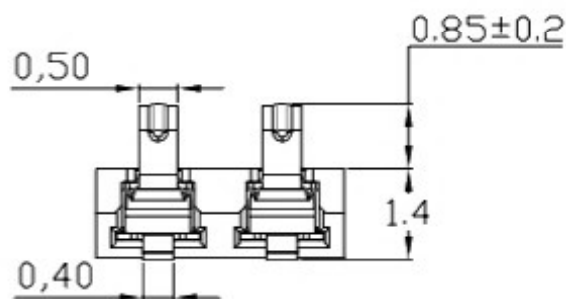


剖面 A-A



RECOMMENDED PCB LAYOUT  
TOP VIEW (.XX±0.05)



性能:

- 额定电流: 1.0A
- 额定电压: 12V
- 耐电压: 500V
- 接触电阻: 30mΩ 以内
- 绝缘电阻: 500MΩ
- 工作温度: -40℃~+85℃
- 塑件(材质): LCP 黑色
- 接触点(材质): 铜合金, 触点镀金3U"



东莞市溪榜电子有限公司

COPYRIGHT RESERVED, PLEASE DO NOT COPY.

|              |           |             |      |          |           |         |       |
|--------------|-----------|-------------|------|----------|-----------|---------|-------|
| PART NAME    |           | CONNECTOR   |      | DRAWING  | Y,C,ZHANG | DWG.No. | SBICL |
| PART NO.     |           |             |      | CHECK    | G.C.Chen  | REV.    | A1    |
| UNIT :<br>mm | TOLERANCE | UP TO 5     | ±0.2 | APPROVAL |           | DATE    |       |
|              | OTHERWISE | ABOVE 5 ~30 | ±0.3 |          |           |         |       |
|              |           | ABOVE 30    | ±0.5 | PAGE     |           | 1 OF 1  |       |
|              |           | ANGLE       | ±3'  |          |           |         |       |