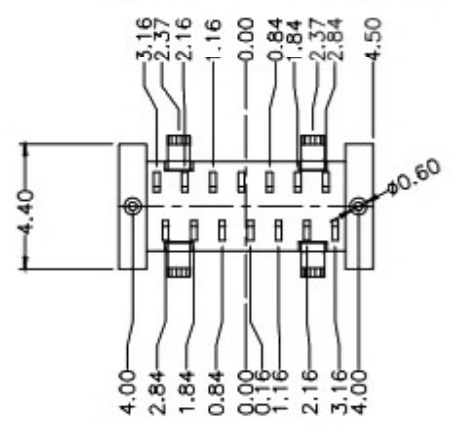
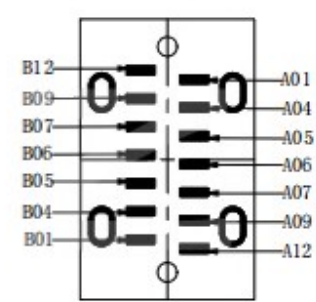
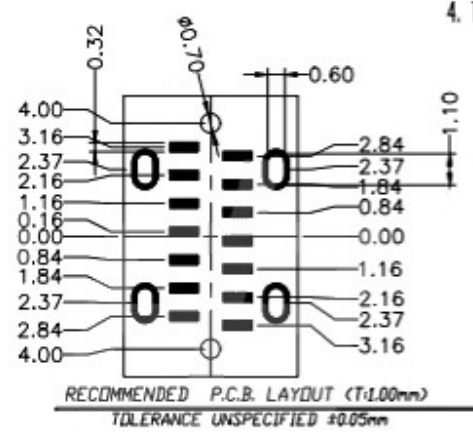
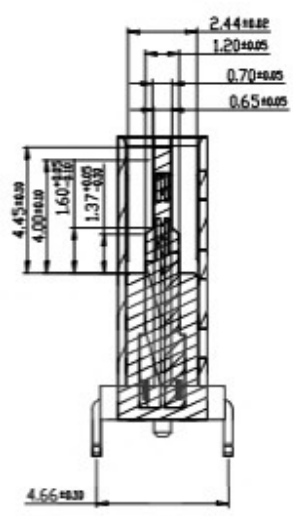
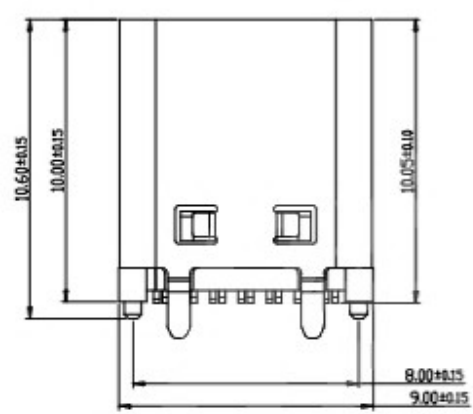


- SPECIFICATIONS:
- ELECTRICAL CHARACTERISTICS:
    - CONTACT RESISTANCE: 30mΩ MAX.
    - DIELECTRIC WITHSTANDING VOLTAGE: 100V AC FOR ONE MINUTE.
    - INSULATION RESISTANCE: 100MΩ MIN. MEASURED BY 500 VDC
  - MECHANICAL CHARACTERISTICS:
    - INSERTION FORCE :0.5-2.0KgF(REF.)
    - WITHDRAWAL FORCE :0.8-2.0KgF(REF.)
  - LIFE TEST: 10,000 CYCLES.
  - TO CONFORM TO THE KRCONN HAZARDOUS SUBSTANCE FREE SPEC.



截面 1-1

A1	GND	B12	GND
A4	VBUS	B9	VBUS
A5	CC1		
A6	DP1	B7	DN2
A7	DN1	B6	DP2
		B5	CC2
A9	VBUS	B4	VBUS
A12	GND	B1	GND
PIN	SIGNAL NAME	PIN	SIGNAL NAME

6	SHELL	STAINLESS STEEL	Ni Plated	IPCS
5	SHIELDING PLATE	STAINLESS STEEL	---	IPCS
4	MO	HIGH TEMPERATURE PLASTIC	BLACK	IPCS
3	CONTACT	COPPER ALLOY	Au/Ni Plated	ISET
2	CONTACT	COPPER ALLOY	Au/Ni Plated	ISET
1	HOUSING	HIGH TEMPERATURE PLASTIC	BLACK	IPCS
NO.	DESCRIPTION	MATERIAL	REMARKS	QTY

PART NAME		CONNECTOR		DRAWING		Y,C,ZHANG		DWG.No.		SBICL	
PART NO.		TYPE-C 14PIN 180D SMT 10.0H		CHECK		G.C.Chen		REV.		A1	
	UNIT :	TOLERANCE	UP TO 5	±0.2	ANGLE	APPROVAL		DATE			
	mm					OTHERWISE	ABOVE 5~30	±0.3	SCALE		PAGE
			ABOVE 30	±0.5	0±5	2:1					