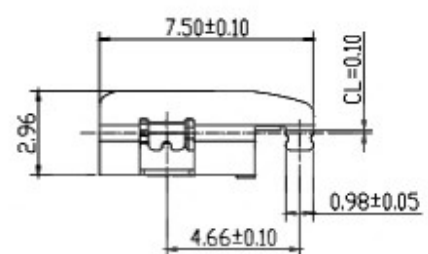
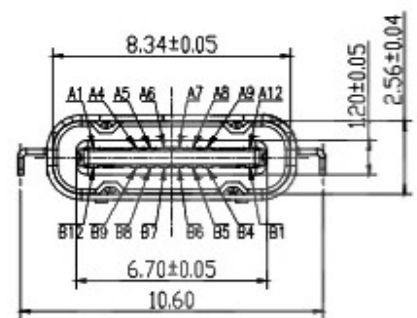
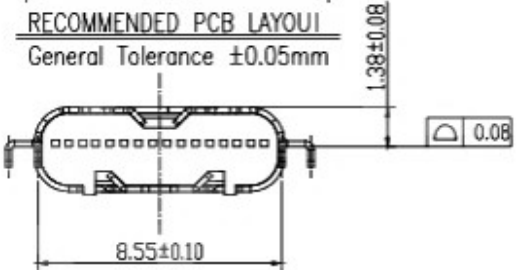
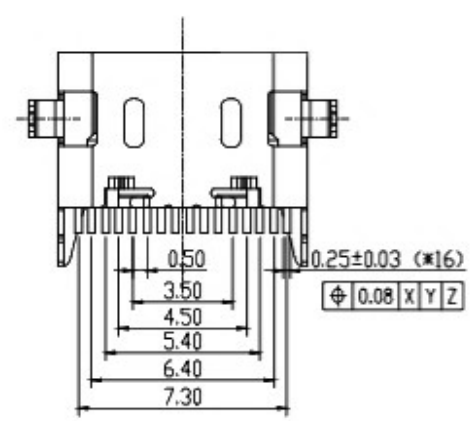


- 备注:
- 规格
 - 1额定电流:
Pin A1 A12和 B1 B12 合计8A最大
Pin A4 A9和B4 B9 合计8A最大
其他Pin 0.25A最大
 - 2额定电压: 30V AC
 - 3接触电阻: 初值40mΩ最大
耐久后50mΩ最大
 - 4耐电压: 100V AC 1分钟
 - 5绝缘电阻: 100mΩ最小 1分钟
 - 6机械性能: 拔出力>=8N (1000次)
6N (10000次) <=20N
 - 7耐久: 10000次
 - 8操作温度: -40° C ~ 85° C
 - 9盐雾: 48H
 - 产品必须遵守ROHS规范



PIN ASSIGNMENTS:

PIN	A1	A4	A5	A6	A7	A8	A9	A12
Signal Name	GND	V _{BUS}	CC1	Dp1	Dn1	SBU1	V _{BUS}	GND
PIN	B12	B9	B8	B7	B6	B5	B4	B1
Signal Name	GND	V _{BUS}	SBU2	Dn2	Dp2	CC2	V _{BUS}	GND



5	CLIP	1PCS	SUS304 T=0.30mm	50u" MIN SOLDERABLE NICKEL
4	SHELL	1PCS	SUS304 T=0.30mm	50u" MIN SOLDERABLE NICKEL
3	CONTACT	1SET	C 7025 T=0.25mm	GOLD 3U" Min PLATED ON CONTACT AREA AND TIN 50u" Min ON SOLDER TAILS OVER 50u" Min NICKEL UNDERPLATING OVERALL
2	MID-PLATE	1PCS	SUS301 T=0.20mm	NO PLATING
1	HOUSING	1PCS	PA9T	BLACK COLOR, UL94 V-0
ITEM	PART NAME	Q'TY	MATERIAL	FINISH

PART NAME	CONNECTOR		DRAWING	Y,C,ZHANG	DWG.No.	SBICL
PART NO.	USB2.0 Type C 16Pin A20S 8A		CHECK	G.C.Chen	REV.	A1
UNIT : mm	TOLERANCE	UP TO 5 ±0.2 ABOVE 5~30 ±0.3 ABOVE 30 ±0.5 ANGLE ±5	APPROVAL		DATE	
	OTHERWISE		SCALE	2:1	PAGE	1 OF 1