

备注:

1. 规格

1.1 额定电流:

Pin A1 A12和 B1 B12 合计8A最大

Pin A4 A9和B4 B9 合计8A最大

其他Pin 0.25A最大

1.2 额定电压: 30V AC

1.3 接触电阻: 初始值40mΩ最大

耐久后50mΩ最大

1.4 耐电压: 100V AC 1分钟

1.5 绝缘电阻: 100mΩ 最小 1分钟

1.6 机械性能: 拔出力>8N (1000次)

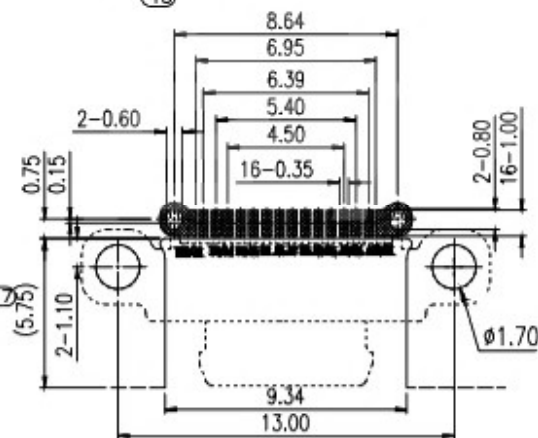
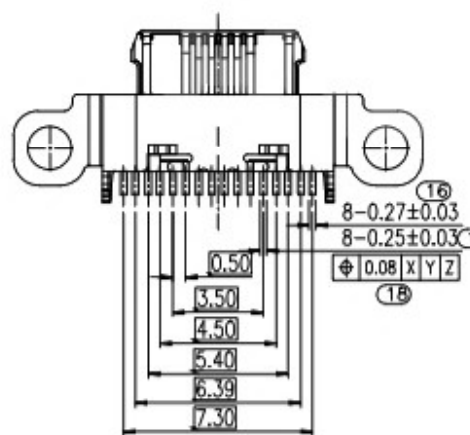
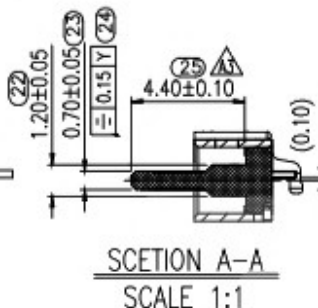
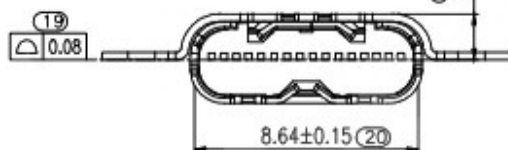
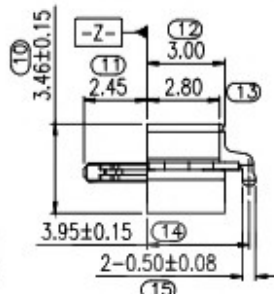
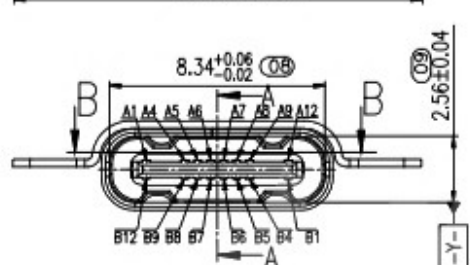
6N (10000次) <=20N

1.7 耐久: 10000次

1.8 操作温度: -40° C ~ 85° C

1.9 盐雾: 48H

2. 产品必须遵守ROHS规范



RECOMMENDED PCB LAYOUT
General Tolerance ±0.05mm

PIN ASSIGNMENTS:

PIN	A1	A4	A5	A6	A7	A8	A9	A12
Signal Name	GND	V _{BUS}	CC1	Dp1	Dn1	SBU1	V _{BUS}	GND
PIN	B12	B9	B8	B7	B6	B5	B4	B1
Signal Name	GND	V _{BUS}	SBU2	Dn2	Dp2	CC2	V _{BUS}	GND

ITEM	PART NAME	Q'TY	MATERIAL	FINISH
5	CLIP	1PCS	SUS304 T=0.30mm	50u" MIN SOLDERABLE NICKEL
4	SHELL	1PCS	SUS304 T=0.30mm	50u" MIN SOLDERABLE NICKEL
3	CONTACT	1SET	C18400 T=0.25mm	GOLD 3U" Min PLATED ON CONTACT AREA AND GOLD 1U" Min ON SOLDER TAILS OVER 50u" Min NICKEL UNDERPLATING OVERALL
2	MID-PLATE	1PCS	SUS301 T=0.20mm	NO PLATING
1	HOUSING	1PCS	PA46	BLACK COLOR, UL94 V-0