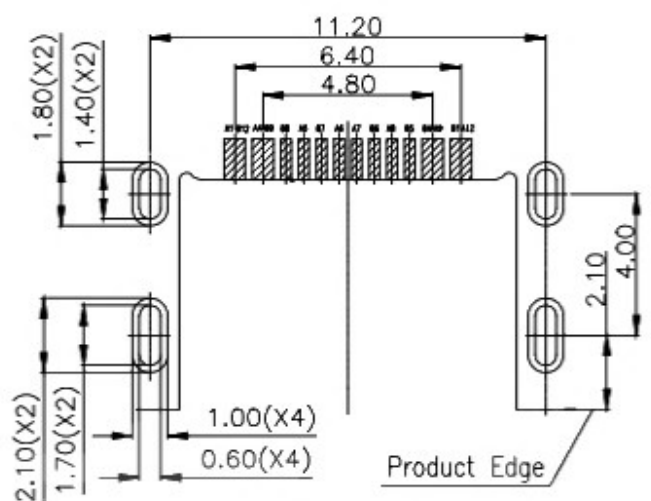
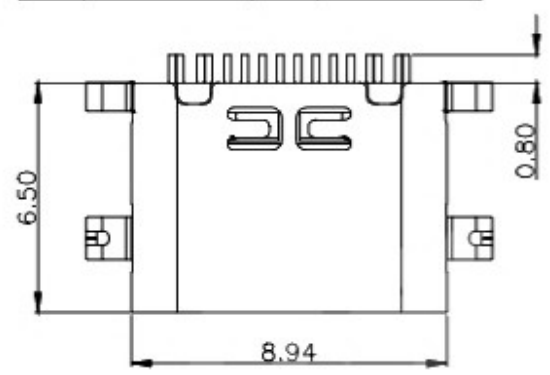
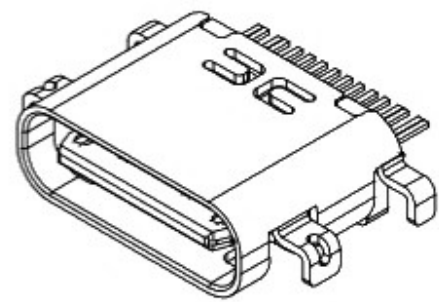


A1	GND	B12	GND
A4	VBUS	B9	VBUS
A5	CC1	B8	SBU2
A6	DP1	B7	DN2
A7	DN1	B6	DP2
A8	SBU1	B5	CC2
A9	VBUS	B4	VBUS
A12	GND	B1	GND
PIN	SIGNAL NAME	PIN	SIGNAL NAME

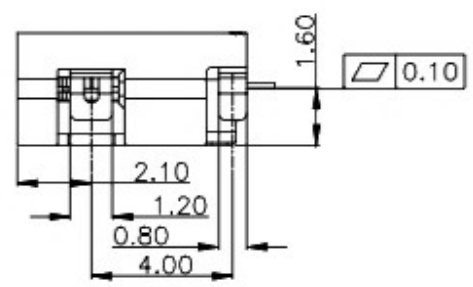
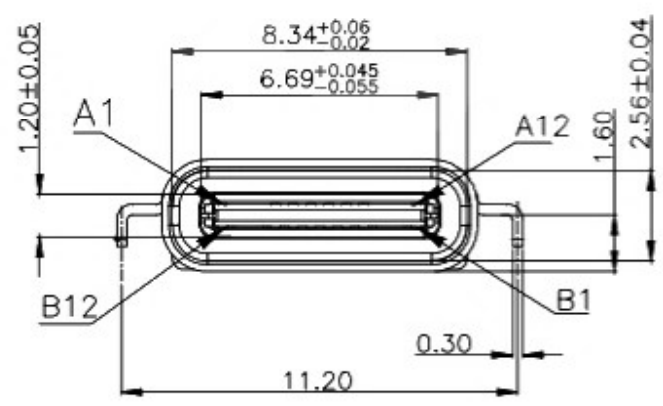


RECOMMENDED P.C.B. LAYOUT
TOLERANCE UNSPECIFIED ±0.05mm



NOTES:
SPECIFICATION:

1. CURRENT RATING: 5A MAX
2. VOLTAGE: 100 VAC
3. TEMPERATURE RANGE: -30 °C ~ 85 °C
4. CONTACT RESISTANCE: 40 MILLIONHM MAX
5. INSULATION RESISTANCE: 100 MEGOHMS MIN.
6. LNSERTION FORCE : 5N~20N
7. UNMATING FORCE: 8N~20N
8. DURABILITY: 10,000 CYCLES



NO.	DESCRIPTION	MATERIAL	REMARK
4	SHIELDING PLATE	STAINLESS STEEL	-----
3	SHELL	STAINLESS STEEL	NI Palated
2	TERMINAL	HIGH CONDUCTIVITY COPPER	Au 1u ⁺
1	HOUSING	HIGH TEMPERATURE PLASTIC	UL 94V-0

PART NAME	CONNECTOR			DRAWING	Y,C,ZHANG	DWG.No.	SBICL
PART NO.	TYPE-C 2.0 16PIN沉板1.6 3MD			CHECK	G.C.Chen	REV.	A1
UNIT : mm	TOLERANCE	UP TO 5	±0.2	APPROVAL		DATE	
	OTHERWISE	ABOVE 5~30	±0.3				
		ANGLE	±0.5	SCALE	2:1	PAGE	1 OF 1