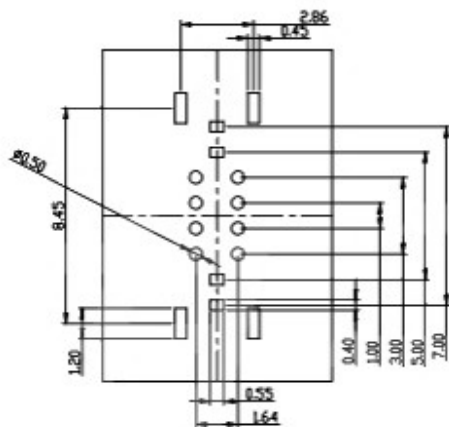
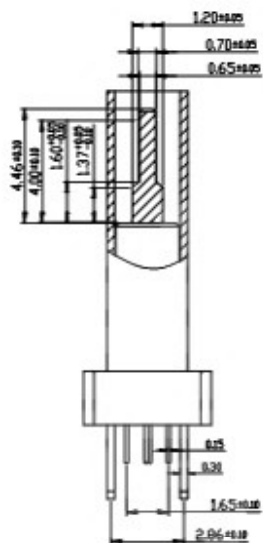
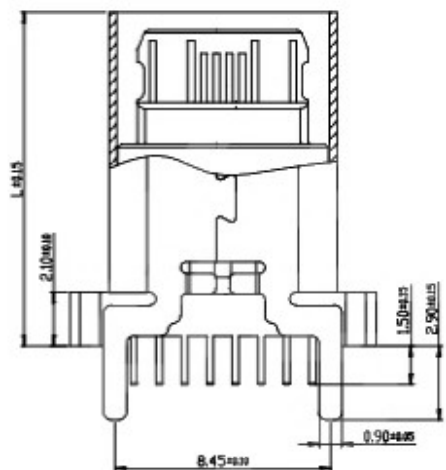
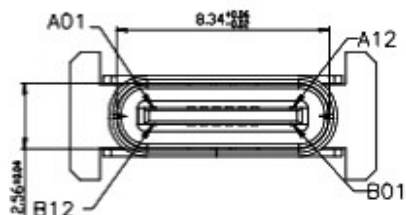
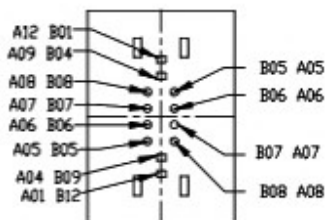
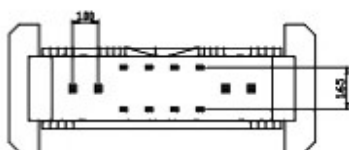
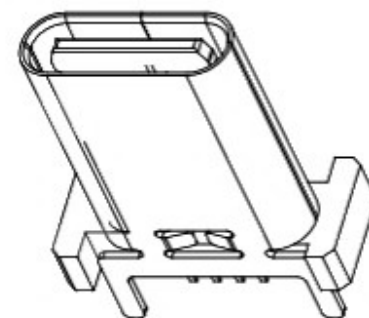


SPECIFICATIONS:

1. ELECTRICAL CHARACTERISTICS:
 - 1-1. CONTACT RESISTANCE: 30m MAX.
 - 1-2. DIELECTRIC WITHSTANDING VOLTAGE: 100V AC FOR ONE MINUTE.
 - 1-3. INSULATION RESISTANCE: 100M MIN. MEASURED BY 500 VDC
2. MECHANICAL CHARACTERISTICS:
 - 2-1. INSERTION FORCE :0.5~2.0KgF(REF.)
 - 2-2. WITHDRAWAL FORCE :0.8~2.0KgF(REF.)
3. LIFE TEST: 5,000 CYCLES.
4. TO CONFORM TO THE KRCONN HAZARDOUS SUBSTANCE FREE SPEC.



RECOMMENDED P.C.B. LAYOUT (T:1.00mm)
TOLERANCE UNSPECIFIED ±0.05mm



AL	GN0	B02	GN0	L = MM							
A4	VBUS	B9	VBUS	9.30	10.00	10.50	12.40	13.10	13.70	15.00	17.50
A5	CC1	B8	SB02								
A6	DP1	B7	DN2								
A7	DN1	B6	DP2								
A8	SB01	B5	CC2								
A9	VBUS	B4	VBUS								
A12	GN0	B1	GN0								
PIN	SIGNAL NAME	PIN	SIGNAL NAME								

NO.	DESCRIPTION	MATERIAL	REMARKS	QTY
6	SHELL	STAINLESS STEEL	Ni Plated	1PCS
5	SHIELDING PLATE	STAINLESS STEEL	---	1PCS
4	MD	HIGH TEMPERATURE PLASTIC	BLACK	1PCS
3	CONTACT	COPPER ALLOY	Au/Ni Plated	1SET
2	CONTACT	COPPER ALLOY	Au/Ni Plated	1SET
1	HOUSING	HIGH TEMPERATURE PLASTIC	BLACK	1PCS