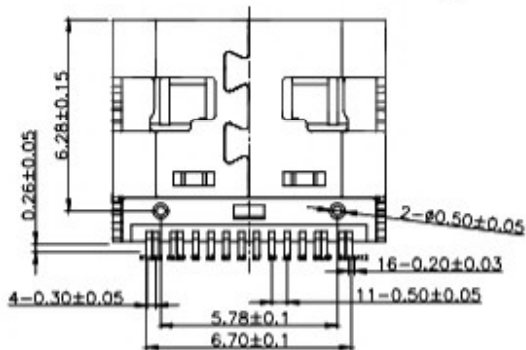
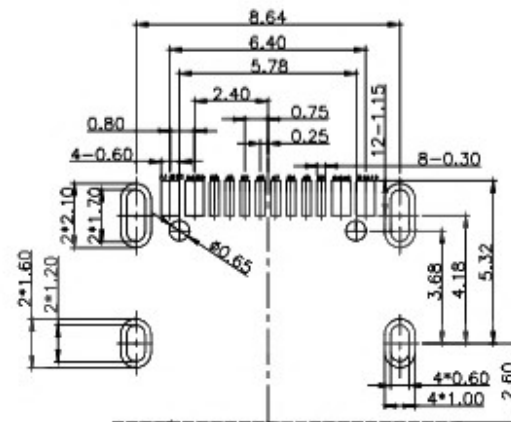
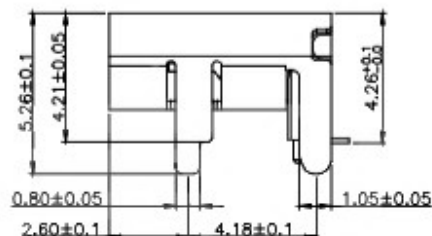
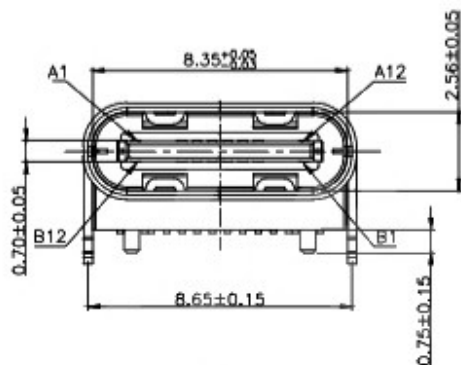
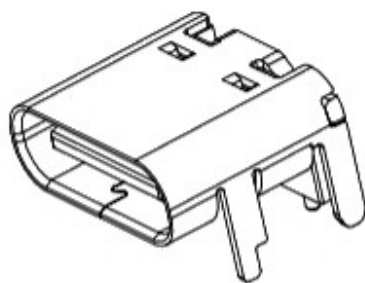
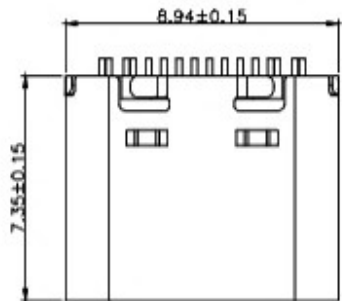


NOTES:  
SPECIFICATION:

1. CURRENT RATING: 5A MAX
2. VOLTAGE: 100 VAC
3. TEMPERATURE RANGE: -30 °C ~ 85 °C
4. CONTACT RESISTANCE: 40 MILLIONHM MAX
5. INSULATION RESISTANCE: 100 MEGOHMS MIN.
6. INSERTION FORCE : 5N~20N
7. UNMATING FORCE: 8N~20N
8. DURABILITY: 10,000 CYCLES



A1	GND	B12	GND	6	SHELL	STAINLESS STEEL	Ni/SN Plated	1PCS
A4	VBUS	B9	VBUS	5	SHIELDING PLATE	STAINLESS STEEL	---	1PCS
A5	CC1	B8	SBU2	4	MD	HIGH TEMPERATURE PLASTIC	BLACK	1PCS
A6	DP1	B7	DN2	3	CONTACT	COPPER ALLOY	Au/Ni Plated	1SET
A8	SBU1	B5	CC2	2	CONTACT	COPPER ALLOY	Au/Ni Plated	1SET
A9	VBUS	B4	VBUS	1	HOUSING	HIGH TEMPERATURE PLASTIC	BLACK	1PCS
A12	GND	B1	GND					
PIN	SIGNAL NAME	PIN	SIGNAL NAME	NO.	DESCRIPTION	MATERIAL	REMARKS	QTY