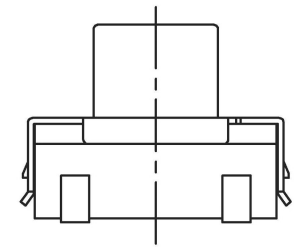
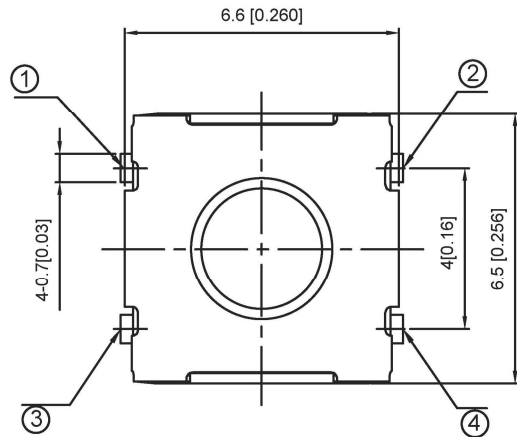


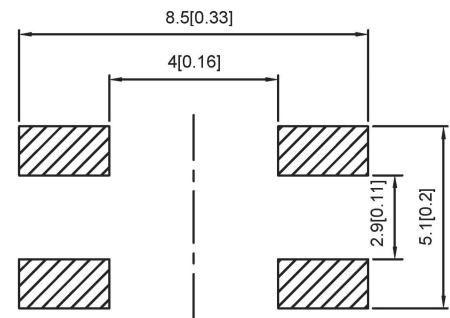
IP65



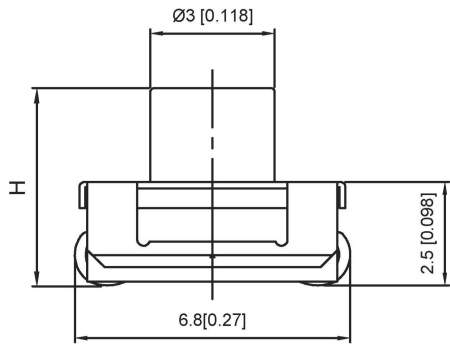
SPECIFICATION

Contact Rating:	50mA, 12V DC
Contact Resistance:	100mΩ max
Insulation Resistance:	100mΩ min. 500V DC
Dielectric Strength:	250V AC/1minute
Travel:	0.25mm
Operating Temp:	-30°C ~ +85°C
Storage Temp:	-30°C ~ +80°C

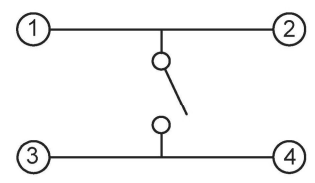
SMD REFLOW PATTERN(N/S:±0.1)



PAPT NO	TS-1158UB-X-X-X
Operating Force	B:160gf C:260gf E:400gf
Height	H: A:3.1 B:3.5 C:4.3 D:5.0
Color	BL:blue W:white



CIRCUIT DIAGRAM



ITEM	PAPT NAMF	TER,NO	QTY	MATERIAL	FINISHING	REMARK
⑤	Terminal	—	4	Brass (0.30t)	Plating silvering	——
④	Contact	—	1	F.ag/Sus	Natural	——
③	Base	—	1	PA46		——
②	Cover	—	1	SPSS	Plating Nickel	——
①	Keystake	—	1	Silica gel		——

					units: mm	DSND	DATE	SCALE: N/A	MODEL TYPE: TACT SWITCH
					tolerance:	DWN	DATE	VIEW:	PART NO.:
					X.X ±0.2mm	CHKD	DATE	UNIT: mm/in	DWG NO
					X.XX ±0.1mm	APPD	DATE	SIZE: A4	TS-1158UB-X-X-X
					X.XXX ±0.05mm	DONG GUAN XI BANG ELECTRONIC CO., LTD			WEIGHT
REVISIONS					UNSPECIFIED TOLERANCES				SHEET
www.alpsr.com www.gdxdz.com www.xbswitch.com								1.0g	REVISION
								1/1	A0