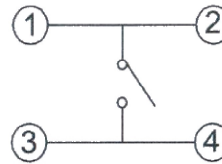
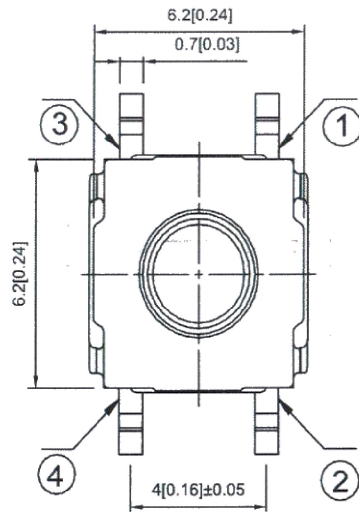
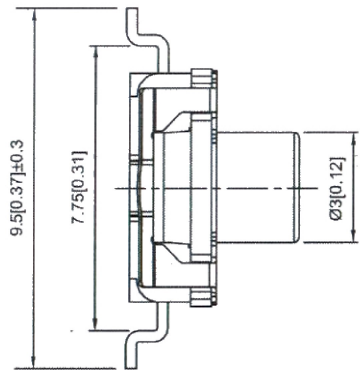


CIRCUITDIAGRAM

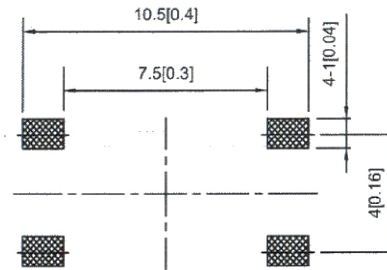


SPECIFICATION

Contact Rating: 50mA,12V DC
 Contact Resistance: 100mΩ max
 Insulation Resistance: 100mΩ min.500V DC
 Dielectric Strength: 250V AC/1minute
 Travel: 0.25mm
 Operating Temp: -30℃~+85℃
 Storage Temp: -30℃~+80℃



PCB LAND DIMENSION



PAPT NO	TS-1159B-X-X-X
Operating Force	A:100gf B:160gf C:260gf D:320gf E:400gf
Height	H: A:3.4 B:4.2 C:4.8 D:5.1
Color	BL:blue W:white

ITEM	PAPT NAMF	TER,NO	QTY	MATERIAL	FINISHING	REMARK
⑤	Terminal	—	4	Brass (0.30t)	Plating silvering	—
④	Contact	—	1	F.ag/Sus	Natural	—
③	Base	—	1	PA46		—
②	Cover	—	1	SPSS	Plating Nickel	—
①	Keystake	—	1	Silica gel		—

MARK	DESCRIPTION	DATE	REVISED	APPROVED	UNSPECIFIED TOLERANCES	DSND	DATE	SCALE: N/A	MODEL TYPE: TACT SWITCH
ΔX					units: mm	DWN	DATE	VIEW:	PART NO.:
ΔX					tolerance: X.X ±0.2mm	CHKD	DATE	UNIT: mm/in	DWG NO
ΔX					X.XX ±0.1mm	APPD	DATE	SIZE: A4	TS-1159B-X-X-X
MARK					X.XXX ±0.05mm	DONG GUAN XI BANG ELECTRONIC CO., LTD			WEIGHT 1.0g
REVISIONS									SHEET 1/1
www.alpsr.com www.gdxdz.com www.xbswitch.com									REVISION A0