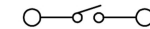
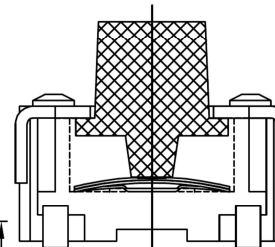
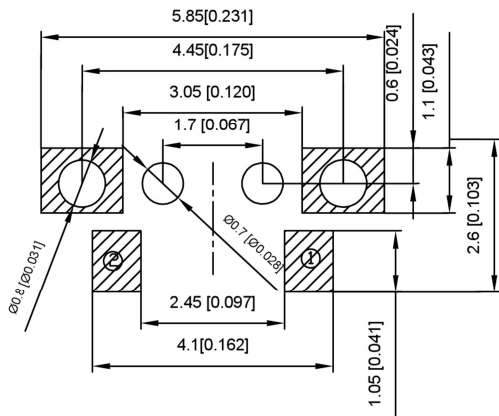
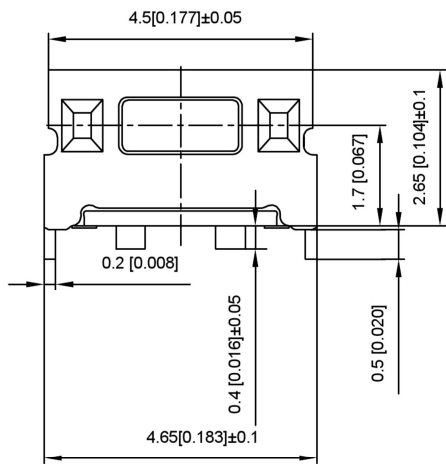


**SPECIFICATION**

Contact Rating: 50mA,12V DC  
 Contact Resistance: 100mΩ max  
 Insulation Resistance: 100mΩ min.500V DC  
 Dielectric Strength: 250V AC/1minute  
 Travel: 0.15mm  
 Operating Temp: -30℃~+85℃  
 Storage Temp: -30℃~+80℃



Circuit Diagram



PAPT NO	TS-1010B-X-X
Operating Force	A:100gf B:160gf C:260gf
Height	H:3.5
Position Foot	A:With B:without

ITEM	PAPT NAMF	TER NO	QTY	MATERIAL	FINISHING	REMARK
⑤	Terminal	—	2	Brass (0.30t)	Plating silvering	—
④	Contact	—	1	F.ag/Sus	Natural	—
③	Base	—	1	Lcp	—	—
②	Cover	—	1	Brass	Plating Nickel	—
①	Keystake	—	1	Pa46	—	—

DSND	DATE	SCALE: N/A	MODEL TYPE: TACT SWITCH
DWN	DATE	VIEW:	PART NO.:
CHKD	DATE	UNIT: mm/in	DWG NO
APPD	DATE	SIZE: A4	TS-1010B-X-X
DONG GUAN XI BANG ELECTRONIC CO., LTD			WEIGHT 1.0g
			SHEET 1/1
			REVISION A0

MARK	DESCRIPTION	DATE	REVISED	APPROVED	units: mm	tolerance:
ΔX					X.X	±0.2mm
ΔX					X.XX	±0.1mm
ΔX					X.XXX	±0.05mm
REVISIONS					UNSPECIFIED TOLERANCES	
www.alpsr.com www.gdxdz.com www.xbswitch.com						