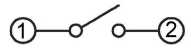
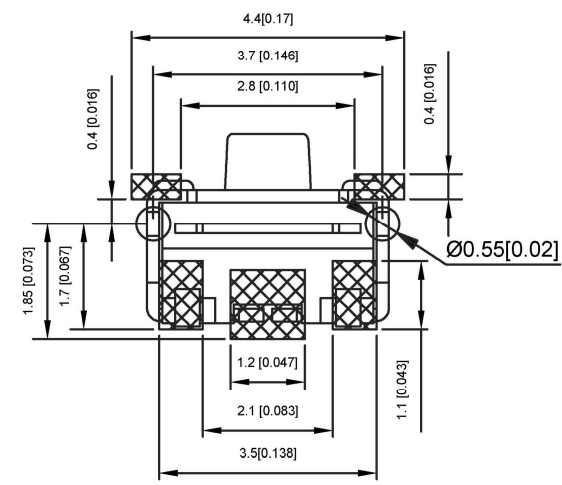


CIRCUIT



P.C.B LATOUT



SPECIFICATION

Contact Rating: 50mA 12V DC
 Contact Resistance: 100mΩ max
 Insulation Resistance: 100MΩ min.500V DC
 Dielectric Strength: 250V AC/1 minute
 Travel: 0.15mm
 Operating Temp: -25°C +70°C
 Storage Temp: -30°C +80°C

PAPT NO	TS-1010GS-X
Operating Force	A:100gf B:160gf C:260gf
Height	H:3.05

⑤	Terminal	—	2	Brass (0.30t)	ag Plated	—
④	Contact	—	2	F.ag/SUS		—
③	Base	—	1	LCP	Natural	—
②	Cover	—	1	Brass	Tin plated	—
①	Keystake	—	1	LCP		—
ITEM	PAPT NAMF	TER.NO	QTY	MATERIAL	FINISHING	REMARK

						units: mm	DSND		DATE	SCALE: N/A	MODEL TYPE: TACT SWITCH
ΔX						tolerance:	DWN		DATE	VIEW:	PART NO.:
ΔX						X.X ±0.2mm	CHKD		DATE	UNIT: mm/in	DWG NO
ΔX						X.XX ±0.1mm	APPD		DATE	SIZE: A4	TS-1010GS-X
MARK	DESCRIPTION	DATE	REVISED	APPROVED		X.XXX ±0.05mm					WEIGHT
REVISIONS						UNSPECIFIED TOLERANCES	DONG GUAN XI BANG ELECTRONIC CO., LTD				SHEET
www.alpsr.com www.gdxdz.com www.xbswitch.com											1/1
											REVISION
											A0