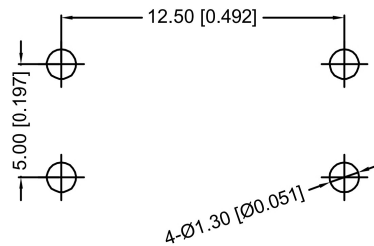
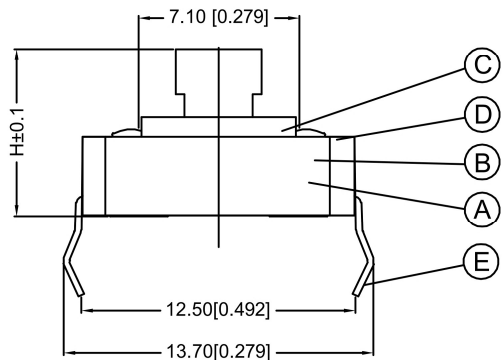


SCHEMATIC CIRCUIT

**SPECIFICATION**

Contact Rating: 50mA, 12V DC  
 Contact Resistance: 100mΩ max  
 Insulation Resistance: 100mΩ min. 500V DC  
 Dielectric Strength: 250V AC/1minute  
 Travel: 0.25mm  
 Operating Temp: -25°C ~ +70°C  
 Storage Temp: -25°C ~ +70°C



PAPT NO	TC-1103T-X-X
Operating force	B:160gf C:260gf
Height	H:7.3
color	B:Black Y: Yellow

ITEM	PAPT NAME	TER,NO	QTY	MATERIAL	FINISHING	REMARK
⑤	Terminal	—	4	Brass (0.30t)	Plating silvering	—
④	Contact	—	1	F.ag/Sus	Natural	—
③	Base	—	1	PPA	—	—
②	Cover	—	1	Spcc	Plating Nickel	—
①	Keystake	—	1	PPA	—	—

MARK	DESCRIPTION	DATE	REVISED	APPROVED	UNSPECIFIED TOLERANCES
ΔX					units: mm
ΔX					tolerance: X.X ±0.2mm
ΔX					X.XX ±0.1mm
ΔX					X.XXX ±0.05mm
REVISIONS					UNSPECIFIED TOLERANCES

DSND		DATE		SCALE: N/A	MODEL TYPE: TACT SWITCH	
DWN		DATE		VIEW:	PART NO. TC-1103T-X-X	
CHKD		DATE		UNIT: mm/in	DWG NO	
APPD		DATE		SIZE: A4		
DONG GUAN XI BANG ELECTRONIC CO., LTD				WEIGHT	SHEET	REVISION
				1.0g	1/1	A0