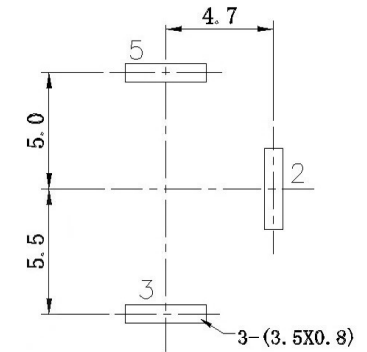


P.C.B LAYOUT
TOP VIEW



SCHEMATIC	
Model	DC-0130
Center Pin	Ø2.0 mm
	Ø2.5 mm

	MATERIAL	PLATING
center pin	Brass	tin
terminal 1	Brass	tin
terminal 2	Sus	tin
terminal 3	Brass	tin
plastic	Pbt	
Cover	Pf	

MARK	DESCRIPTION	DATE	REVISED	APPROVED	UNSPECIFIED TOLERANCES	DSND	DATE	SCALE: N/A	MODEL TYPE: DC POWER JACK
△X					ANGLAR ±5°	DWN	DATE	VIEW:	PART NO.:
△X					X.X ±0.2mm	CHKD	DATE	UNIT: mm	DWG NO.:
△X					X.XX ±0.1mm	APPD	DATE	SIZE: A4	DC-0130-2.5A-2.5
					X.XXX ±0.05mm				WEIGHT 1.0g
									SHEET 1/1
									REVISION A0