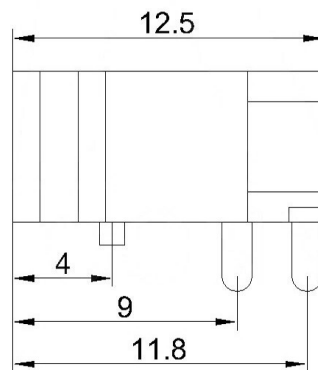
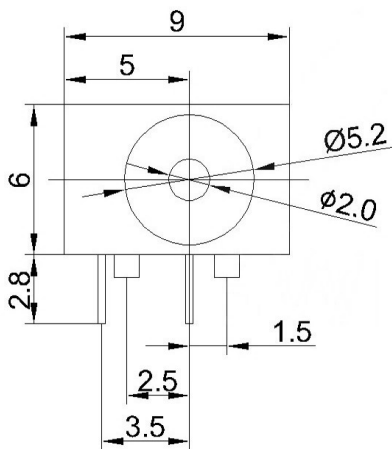
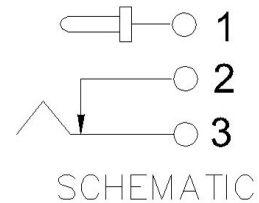


P.C.B.  
LAYOUT  
TOP VIEW



	MATERIAL	PLATING
center pin	Brass	tin
terminal 1	Brass	tin
terminal 2	Phosphor Bronze	tin
terminal 3	Brass	tin
plastic	Pbt	

MARK	DESCRIPTION	DATE	REVISED	APPROVED	UNSPECIFIED TOLERANCES
Δx					ANGULAR ±5°
Δx					X.X ±0.2mm
Δx					X.XX ±0.1mm
Δx					X.XXX ±0.05mm
REVISIONS					
www.switchsmt.com					

DSND		DATE		SCALE: N/A	MODEL TYPE: DC POWER JACK
DWN		DATE		VIEW:	PART NO.:
CHKD		DATE		UNIT: mm	DWG NO.:
APPD		DATE		SIZE: A4	DC-049A
				WEIGHT	SHEET
				1.0g	1/1
				REVISION	A0