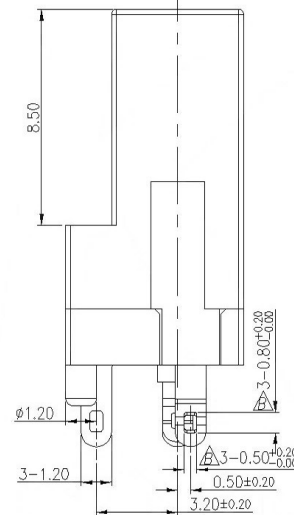
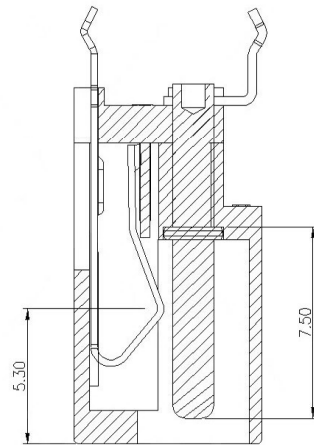
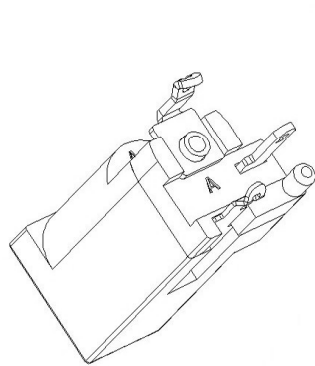
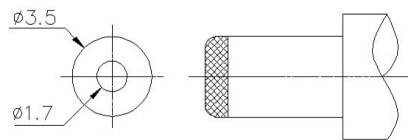


PCB LAYOUT TOP VIEW
TOLERANCES: ±0.05



- NOTES:
1. CONTACT CURRENT RATING: 1A.
 2. CONTACT RESISTANCE: 50 mΩ MAX.;
 3. INSULATION RESISTANCE: 100MΩ MIN.;
 4. DIELECTRIC WITHSTANDING: 500V AC MIN.;
 5. DURABILITY: 5,000 CYCLES MIN.;
 6. CONNECTOR MATING FORCES: 29.4N (3.00Kgf) MAX.;
 7. CONNECTOR UNMATING FORCES: 4.94N(0.50Kgf) MIN.;

| | |
|------------|--|
| SCHEMATIC | |
| Center Pin | <ul style="list-style-type: none"> Ø1.0 mm Ø1.3 mm Ø1.65 mm |



| | MATERIAL | PLATING |
|------------|-----------------|---------|
| center pin | Brass | tin |
| terminal 1 | Brass | tin |
| terminal 2 | Phosphor Bronze | tin |
| terminal 3 | Brass | tin |
| plastic | Pbt | |

| | | | | | | | |
|------------------------|--|------|--|------------|------------------------------|--------------|----------------|
| DSND | | DATE | | SCALE: N/A | MODEL TYPE: DC POWER JACK | | |
| DWN | | DATE | | VIEW: | PART NO.: | | |
| CHKD | | DATE | | UNIT: mm | DWG NO.: | | |
| APPD | | DATE | | SIZE: A4 | DC-002H-2.5A-1.65 | | |
| UNSPECIFIED TOLERANCES | | | | | WEIGHT 1.0g | SHEET 1/1 | REVISION A0 |

东莞市溪榜电子有限公司

REVISIONS

www.switchsm.com

| MARK | DESCRIPTION | DATE | REVISED | APPROVED | ANGLAR | ±5° |
|------|-------------|------|---------|----------|--------|---------|
| △X | | | | | X.X | ±0.2mm |
| △X | | | | | X.XX | ±0.1mm |
| △X | | | | | X.XXX | ±0.05mm |