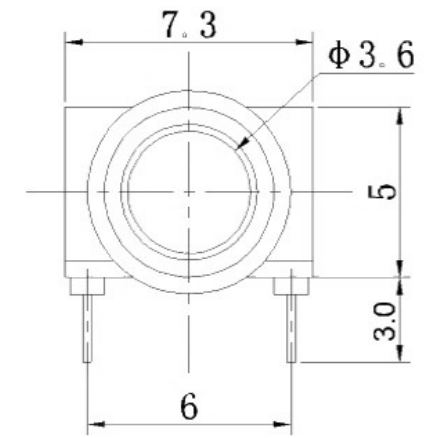
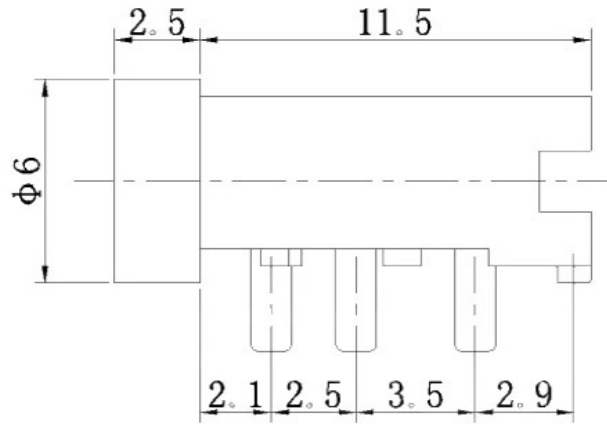
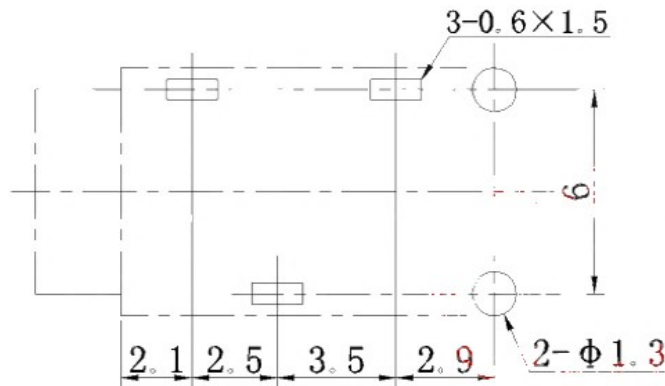
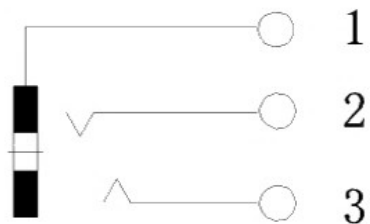


PJ-309A-1



Copper set  
PJ-309A-2



	MATERIAL	PLATING
terminal 1	Phosphor Bronze	tin
terminal 2	Phosphor Bronze	tin
terminal 3	Phosphor Bronze	tin
plastic	Pbt	

					DSND	DATE	SCALE: N/A	MODEL TYPE: 3.5 PHONE JACK		
				ANGLAR		DATE	VIEW:	PART NO.:		
Δx				X.X	±5°	DATE	UNIT: mm	DWG NO.:		
Δx				X.XX	±0.2mm	DATE	SIZE: A4			
Δx				X.XXX	±0.1mm	DATE				
MARK	DESCRIPTION	DATE	REVISED	APPROVED	UNSPECIFIED TOLERANCES	APPD				
REVISIONS					UNSPECIFIED TOLERANCES					
					<b>东莞市溪榜电子有限公司</b>					
								WEIGHT 1.0g	SHEET 1/1	REVISION A0