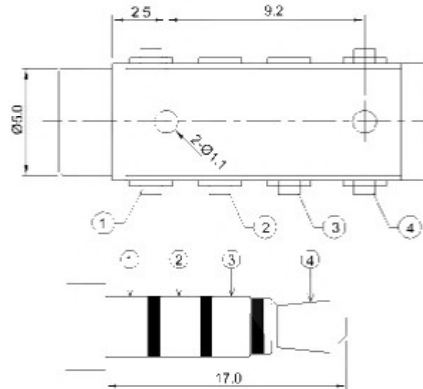
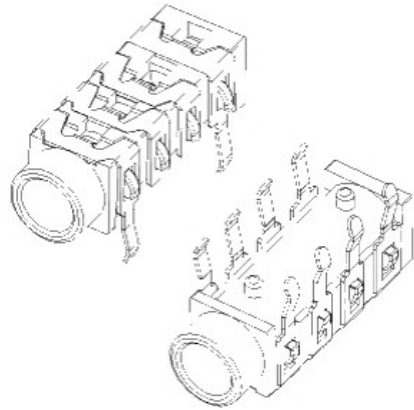


PJ-313B8-



ø2.50mm 4 POLE PLUG

PJ-313B6-	PJ-313B8-

color	B: Black Y: Yellow G: Green
-------	--------------------------------

	MATERIAL	PLATING
terminal 1	Phosphor Bronze	tin
terminal 2	Phosphor Bronze	tin
terminal 3	Phosphor Bronze	tin
terminal 4	Phosphor Bronze	tin
plastic	Pbt	

MARK	DESCRIPTION	DATE	REVISED	APPROVED	UNSPECIFIED TOLERANCES	DSND	DATE	SCALE: N/A	MODEL TYPE: 3.5 PHONE JACK
ΔX					ANGLAR ±5°	DWN	DATE	VIEW:	PART NO.:
ΔX					X.X ±0.2mm	CHKD	DATE	UNIT: mm	DWG NO.: PJ-313BX-X
ΔX					X.XX ±0.1mm	APPD	DATE	SIZE: A4	WEIGHT 1.0g
					X.XXX ±0.05mm				SHEET 1/1
									REVISION A0