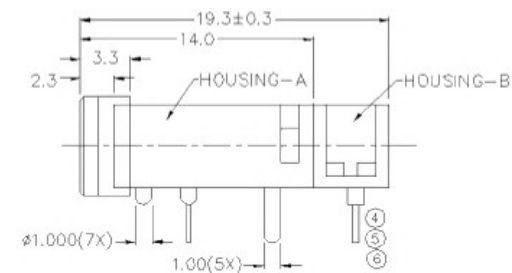
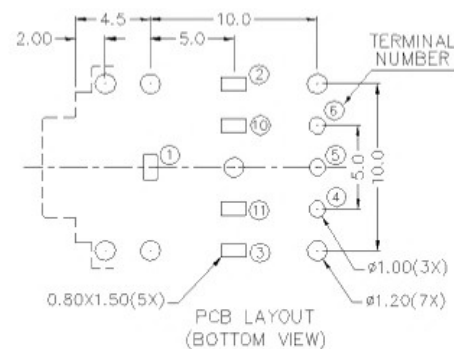
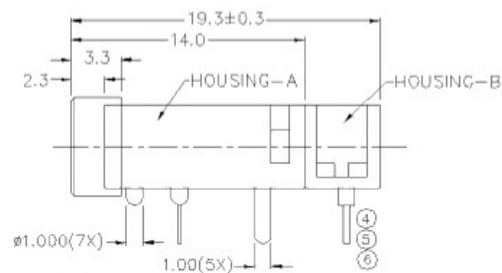


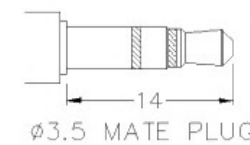
PJ-307AX-1



Copper set

PJ-307AX-2

MODEL NO.	PJ-307A0-	PJ-307A1-	PJ-307A2-	PJ-307A3-	PJ-307A4-	PJ-307A5-
SCHEMATIC						



	MATERIAL	PLATING
terminal 1	Phosphor Bronze	tin
terminal 2	Phosphor Bronze	tin
terminal 3	Phosphor Bronze	tin
terminal 10	Brass	tin
terminal 11	Brass	tin
plastic	Pbt	

MARK	DESCRIPTION	DATE	REVISED	APPROVED	UNSPECIFIED TOLERANCES	DSND	DATE	SCALE: N/A	MODEL TYPE: 3.5 PHONE JACK		
ΔX					ANGULAR ±5°	DWN	DATE <td>VIEW: </td> <td>PART NO.:</td>	VIEW:	PART NO.:		
ΔX					±0.2mm	CHKD	DATE <td>UNIT: mm</td> <td>DWG NO.:</td>	UNIT: mm	DWG NO.:		
ΔX					±0.1mm	APPD	DATE <td>SIZE: A4</td> <td></td>	SIZE: A4			
					±0.05mm						
	REVISIONS					东莞市溪榜电子有限公司			WEIGHT 1.0g	SHEET 1/1	REVISION A0