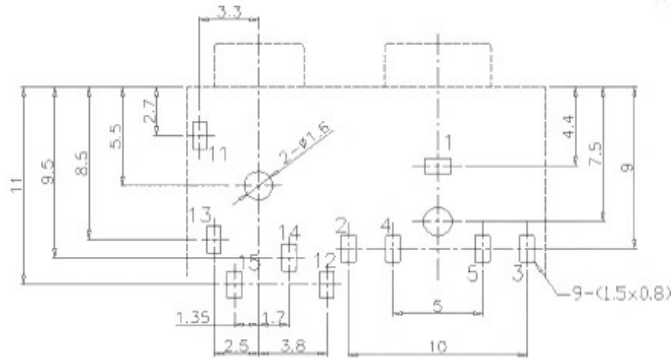
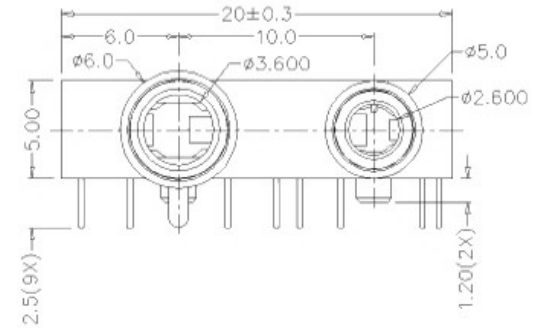
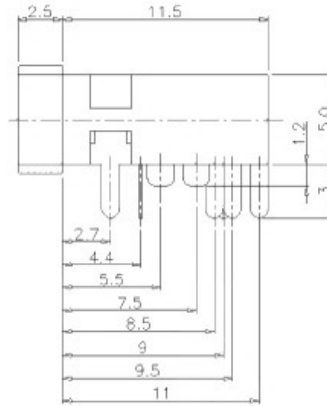
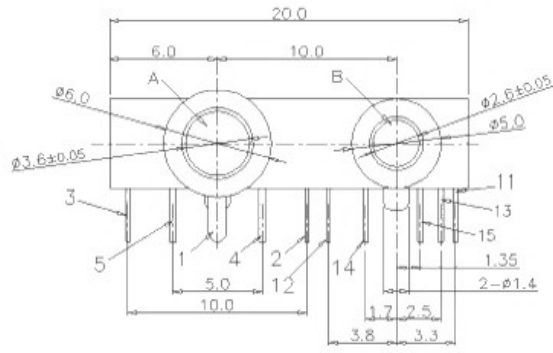


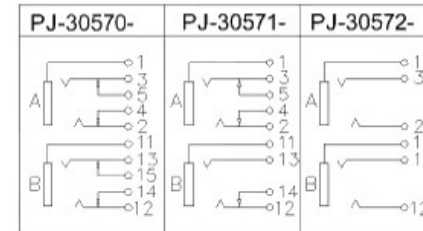
PJ-3057X-1



RECOMMENDED P.C.B. LAYOUT
UNSPECIFIED TOLERANCE: ±0.05
(TOP VIEW)

Copper set PJ-3057X-2

SCHEMATIC



	MATERIAL	PLATING
terminal 1	Phosphor Bronze	tin
terminal 2	Phosphor Bronze	tin
terminal 3	Phosphor Bronze	tin
terminal 4	Brass	tin
terminal 5	Brass	tin
plastic	Pbt	

	MATERIAL	PLATING
terminal 11	Phosphor Bronze	tin
terminal 12	Phosphor Bronze	tin
terminal 13	Phosphor Bronze	tin
terminal 14	Brass	tin
terminal 15	Brass	tin
plastic	Pbt	

MARK	DESCRIPTION	DATE	REVISED	APPROVED	ANGULAR	±5°	DSND	DATE	SCALE: N/A	MODEL TYPE: 3.5 PHONE JACK			
Δ X					X.X	±0.2mm	DWN	DATE	VIEW:	PART NO.:			
Δ X					X.XX	±0.1mm	CHKD	DATE	UNIT: mm	DWG NO.:			
Δ X					X.XXX	±0.05mm	APPD	DATE	SIZE: A4				
REVISIONS							UNSPECIFIED TOLERANCES	东莞市溪榜电子有限公司			WEIGHT 1.0g	SHEET 1/1	REVISION A0