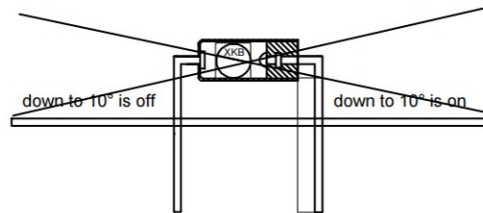
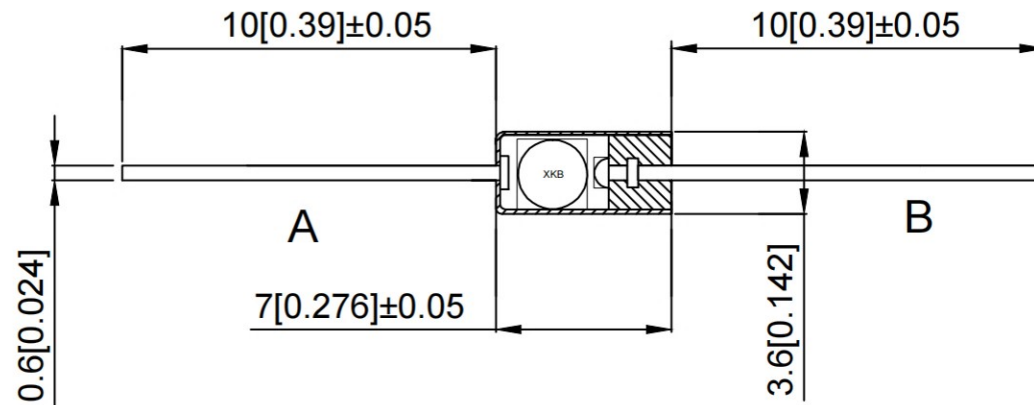


## Product features

Voltage: < 12V  
 Current: < 20mA  
 Conduction time: 2ms  
 Closed circuit resistance: < 30m ohm  
 Open circuit resistance: > 10m ohm  
 High temperature resistance: 240 degrees  
 Terminal tension: 500gf / min  
 Humidity: 95RH 40 degrees 96 hours  
 Operating life: 200000 times



### Product features:

产品特点:

- 1.SW-58025 series is a sealed spring type non-directional vibration induction trigger switch, which can be triggered at any Angle.
- 1.SW-58025系列为密封弹簧式无方向振动感应触发开关，可任意角度触发。
2. This series switch is in the open circuit OFF state when it is stationary. When it is touched by external force and reaches the corresponding vibration force, or when the moving speed reaches the appropriate (partial) centrifugal force, the conductive pin will produce instantaneous conduction and present ON state;When the external force disappears, the switch reverts to the open circuit OFF state.
- 2.此串联开关静止时处于断路断开状态。当受到外力接触并达到相应的振动力时，或当移动速度达到适当的（部分）离心力时，导电销会产生瞬时导通并呈现导通状态；当外力消失时，开关恢复到断路断开状态。
3. This series switch with P model, for the completely sealed package.
- 3、本系列开关采用P型，为全密封包装。
4. This series switch trigger sensitivity is relatively slow.
- 4.本系列开关触发灵敏度相对较慢。
5. The life of this series switch can reach 200,000 times in normal use.
- 5.该系列开关正常使用寿命可达20万次。
6. This series switch is suitable for toys, burglar alarm, electronic scale and other electronic products.
- 6、本系列开关适用于玩具、防盗报警器、电子秤等电子产品。

⑤		1			
④	Coat the brass	1	Brass	TIN	
③	sealing rubber	1	Rohs epoxy resin		
②	spring B	1	phosphor copper	0.25	
①	body A	1	Brass	silver plating	
ITEM	PAPT NAMF	QTY	MATERIAL	FINISHING	REMARK

1DSND		DATE		SCALE: N/A	MODEL TYPE: Vibration switch	
DWN		DATE		VIEW:	PART NO.:	
CHKD		DATE		UNIT: mm/in	DWG NO.:	
APPD		DATE		SIZE: A4		
				WEIGHT	SHEET	REVISION
				1.0g	1/1	A0

东莞市溪榜电子有限公司

MARK	DESCRIPTION	DATE	REVISED	APPROVED	units: mm
					tolerance: X.X ±0.2mm
					X.XX ±0.1mm
					X.XXX ±0.05mm
REVISIONS					UNSPECIFIED TOLERANCES