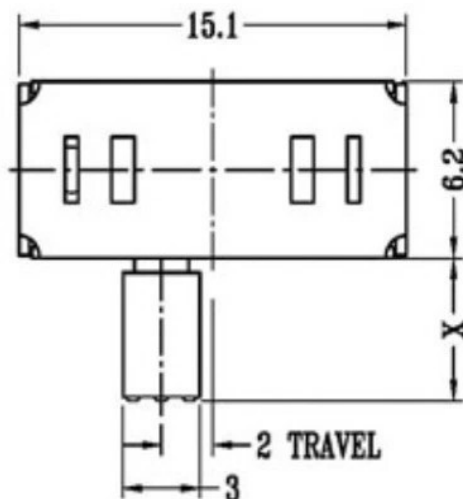
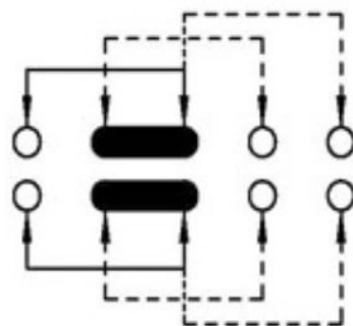


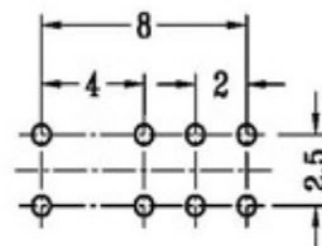
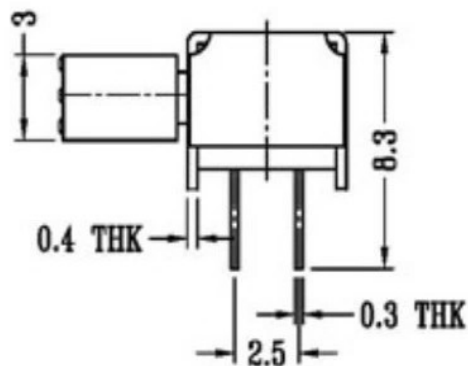
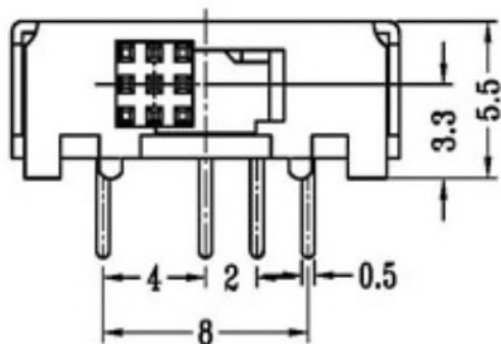
CAD FILE:



X=3-10
单位: mm



SCHEMATIC (SHORTING)



P.C.B LAYOUT
BOTTOM VIEW

注: "*"表示关键尺寸(6个)

NO.	PARTS	MATERIALS	QTY	FINISH	TOLERANCE UNLESS SPECIFIED		A		2012-12-25		初板	
					WITHIN	ISSUE	DATE	DESCRIPTIONS OF REVISION				APPD
8					OVER							
7	STEEL BALL	STEEL	1	NATURAL	TITLE: HORIZONTAL SLIDE SWITCH		UNIT : mm		DRWG NO.:			
6	SPRING	STEEL WIRE	1	NATURAL								
5	CONTACT CLIP	PBS STRIP	2	Ag PLATED	MODEL:		SCALE: 2:1		DWN		2012-12-25	
4	TERMINAL	BRASS STRIP	10	Ag PLATED								
3	BASE	PHENOLIC RESIN	1	BLACK	东莞市溪榜电子有限公司				CHK'D		2012-12-25	
2	FRAME	STEEL STRIP	1	Ni PLATED								
1	KNOB	POM	1	BLACK					APPD		2012-12-25	