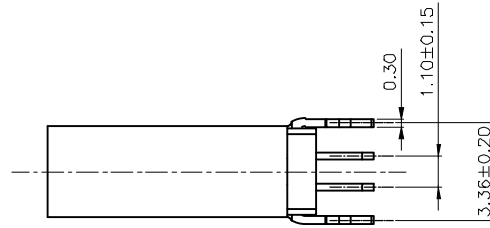
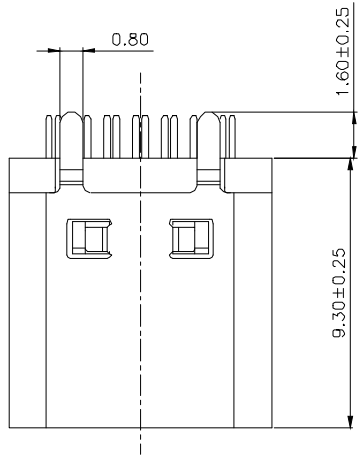
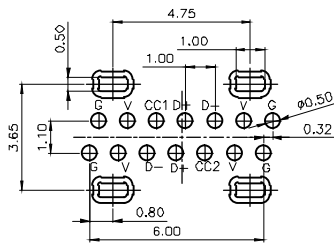
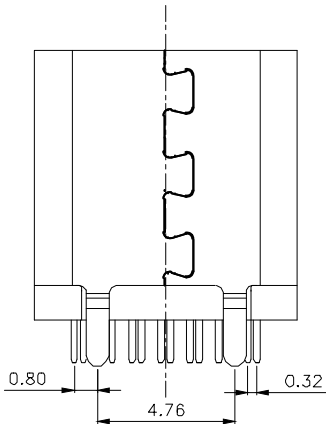
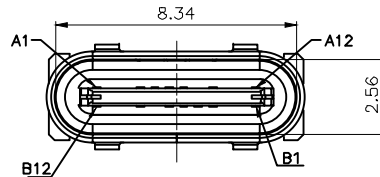


- NOTES:
- 1.MATERIAL:  
MOLDING: LCP UL94 V-0  
CONTACT: COPPER ALLOY.  
GOLD PLATED Min ON CONTACT AREA, 100u"  
Min TIN (LEAD FREE) ON SOLDER AREA,  
SHELL: SUS304-H,T=0.30±0.03mm  
50u" NICKEL PLATING OVER ALL.  
SHILD: SUS304-H,T=0.12±0.03mm
  - 2.MECHANICAL:  
INSERTION: 5~20N.  
EXTRACTION: 8~20N AFTER TEST.  
DURABILITY: 10000 CYCLES
  - 3.ELECTRICAL:  
CURRENT: 5A FOR VBUS;  
1.25A FOR GND PIN.  
0.25A FOR OTHER.  
VOLTAGE: 20 V MAX  
WITHSTANDING VOLTAGE: 100V AC R.M.S.  
CONTACT RESISTANCE: 40mΩ MAX.  
INSULATION RESISTANCE: 100MΩ MIN.
  - 4.ENVIRONMENTAL  
TEMPERATURE RANGE -25°C ~ +85°C



USB TYPE-C FULL-FEATURED RECEPTACLE INTERFACE PIN ASSIGNMENTS



RECOMMENDED P.C.B. LAYOUT  
TOLERANCE UNSPECIFIED ±0.05mm

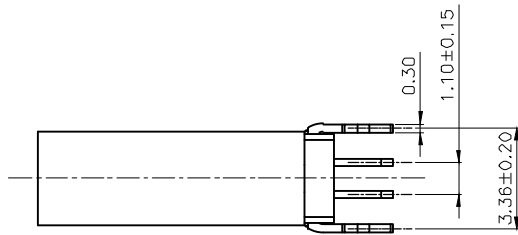
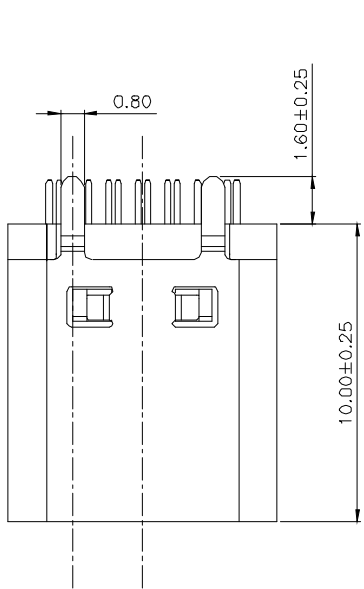
PIN	Signal Name	Description	PIN	Signal Name	Description
A1	GND	Ground return	B12	GND	Ground return
A2			B11		
A3			B10		
A4	Vbus	Bus Power	B9	Vbus	Bus Power
A5	CC1	Configuration Channel	B8		
A6	Dp1	Positive half of the USB 2.0 differential pair-Position 1	B7	Dm2	Negative half of the USB 2.0 differential pair-Position 2
A7	Dm1	Negative half of the USB 2.0 differential pair-Position 1	B6	Dp2	Positive half of the USB 2.0 differential pair-Position 2
A8	SBU1	Sideband Use (SBU)	B5	CC2	Configuration Channel
A9	Vbus	Bus Power	B4	Vbus	Bus Power
A10			B3		
A11			B2		
A12	GND	Ground return	B1	GND	Ground return

USCX-14FX-XXDX-03

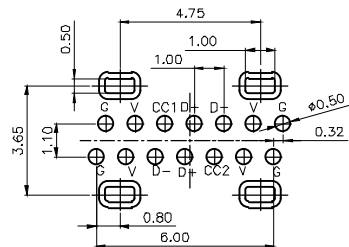
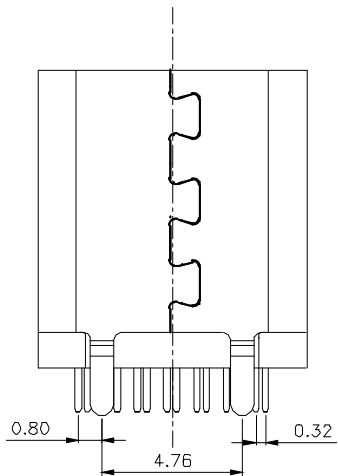
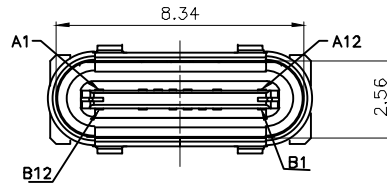
- 1-G.P
- 2-RoHS
- 3-REACH
- 4-HF/无卤
- 1-卷带包装
- 2-PVC盒
- N-可焊镍
- S-雾锡
- T-亮锡
- A-金
- K-黑色
- N-本色

东莞市溪榜电子有限公司  
DONG GUAN XIBANG ELECTRONICS CO., LTD.

TOLERANCE: X.XX ±0.30 X.XXX ±0.20 X.XXX ±0.10 X.X ±0.05 X.X ±0.05 X.X ±0.05	DRAWN BY :	DATE :	PART NAME: TYPE-C 14P母座立式插板H9.3	
	CHECKED BY :	DATE :	PART NO.	SEE TABLE
UNIT: mm [inch] SCALE: 1:1 SIZE: A4	APPROVED BY :	DATE :	MOLD NO.	
			DRAW NO.	
			SHEET NO.	1 OF 1



USB TYPE-C FULL-FEATURED RECEPTACLE INTERFACE PIN ASSIGNMENTS



RECOMMENDED P.C.B. LAYOUT  
TOLERANCE UNSPECIFIED ±0.05mm

PIN	Signal Name	Description	PIN	Signal Name	Description
A1	GND	Ground return	B12	GND	Ground return
A2			B11		
A3			B10		
A4	Vbus	Bus Power	B9	Vbus	Bus Power
A5	CC1	Configuration Channel	B8	CC2	Configuration Channel
A6	Dp1	Positive half of the USB 2.0 differential pair-Position 1	B7	Dm2	Negative half of the USB 2.0 differential pair-Position 2
A7	Dm1	Negative half of the USB 2.0 differential pair-Position 1	B6	Dp2	Positive half of the USB 2.0 differential pair-Position 2
A8	SBU1	Sideland Use (SRU)	B5	CC1	Configuration Channel
A9	Vbus	Bus Power	B4	Vbus	Bus Power
A10			B3		
A11			B2		
A12	GND	Ground return	B1	GND	Ground return

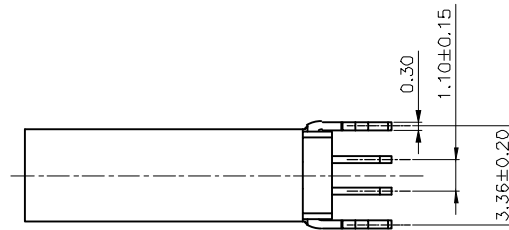
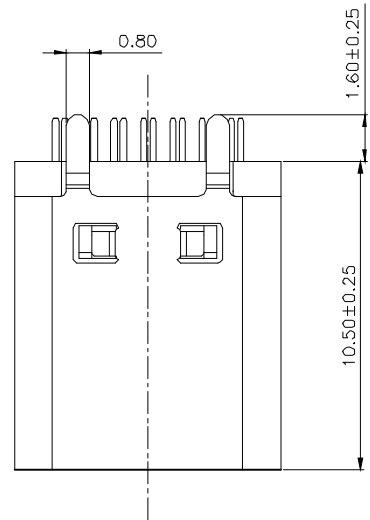
- NOTES:
- MATERIAL:  
MOLDING: LCP UL94 V-0  
CONTACT: COPPER ALLOY.  
GOLD PLATED Min ON CONTACT AREA, 100u"  
Min TIN (LEAD FREE) ON SOLDER AREA,  
SHELL: SUS304-H, T=0.30±0.03mm  
50u" NICKEL PLATING OVER ALL.  
SHILD: SUS304-H, T=0.12±0.03mm
  - MECHANICAL:  
INSERTION: 5~20N.  
EXTRACTION: 8~20N AFTER TEST.
  - DURABILITY: 10000 CYCLES
  - ELECTRICAL:  
CURRENT: 5A FOR VBUS;  
1.25A FOR GND PIN.  
0.25A FOR OTHER.  
VOLTAGE: 20 V MAX  
WITHSTANDING VOLTAGE: 100V AC R.M.S.  
CONTACT RESISTANCE: 40mΩ MAX.  
INSULATION RESISTANCE: 100MΩ MIN.
  - ENVIRONMENTAL  
TEMPERATURE RANGE -25°C ~ +85°C

USCX-14FX-XXDX-01

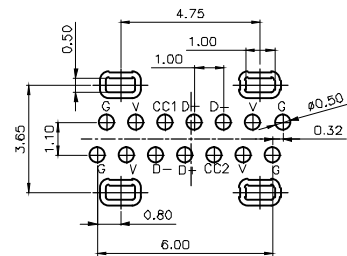
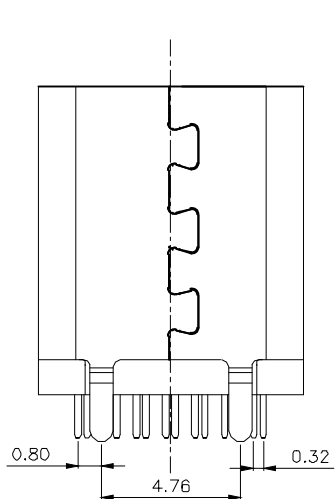
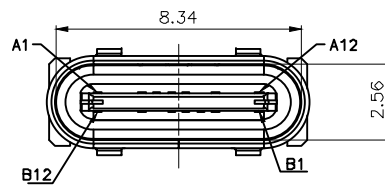
- 1-G.P
- 2-RoHS
- 3-REACH
- 4-HF/无卤
- 1-卷带包装
- 2-PVC盒
- N-可焊镍
- S-雾锡
- T-亮锡
- A-金
- K-黑色
- N-本色

东莞市溪榜电子有限公司  
DONG GUAN XIBANG ELECTRONICS CO., LTD.

TOLERANCE: X.X ±0.30 X.XX ±0.20 X.XXX ±0.10 X.XX ±0.10 X.X ±0.10 X.X ±0.10 X.X ±0.10	DRAWN BY :	DATE :	PART NAME: TYPE-C 14P母座立式插板H10.0	
	CHECKED BY :	DATE :	PART NO.	SEE TABLE
UNIT: mm [inch] SCALE: 1:1 SIZE: A4	APPROVED BY :	DATE :	MOLD NO.	
			DRAW NO.	
			SHEET NO.	1 OF 1



USB TYPE-C FULL-FEATURED RECEPTACLE INTERFACE PIN ASSIGNMENTS



RECOMMENDED P.C.B. LAYOUT  
TOLERANCE UNSPECIFIED ±0.05mm

PIN	Signal Name	Description	PIN	Signal Name	Description
A1	GND	Ground return	B12	GND	Ground return
A2			B11		
A3			B10		
A4	Vbus	Bus Power	B9	Vbus	Bus Power
A5	CC1	Configuration Channel 1	B8		
A6	Dp1	Positive half of the USB 2.0 differential pair Position 1	B7	Dn2	Negative half of the USB 2.0 differential pair Position 2
A7	Dn1	Negative half of the USB 2.0 differential pair Position 1	B6	Dp2	Positive half of the USB 2.0 differential pair Position 2
A8	SBUS1	Sideband Use (SBU)	B5	CC2	Configuration Channel 2
A9	Vbus	Bus Power	B4	Vbus	Bus Power
A10			B3		
A11			B2		
A12	GND	Ground return	B1	GND	Ground return

- NOTES:
- MATERIAL:
    - MOLDING: LCP UL94 V-0
    - CONTACT: COPPER ALLOY.
    - GOLD PLATED Min ON CONTACT AREA, 100u"
    - Min TIN (LEAD FREE) ON SOLDER AREA, 50u"
    - NICKEL PLATING OVER ALL.
    - SHILD: SUS304-H, T=0.12±0.03mm
  - MECHANICAL:
    - INSERTION: 5~20N.
    - EXTRACTION: 8~20N AFTER TEST.
    - DURABILITY: 10000 CYCLES
  - ELECTRICAL:
    - CURRENT: 5A FOR VBUS;
    - 1.25A FOR GND PIN.
    - 0.25A FOR OTHER.
    - VOLTAGE: 20 V MAX
    - WITHSTANDING VOLTAGE: 100V AC R.M.S.
    - CONTACT RESISTANCE: 40mΩ MAX.
    - INSULATION RESISTANCE: 100MΩ MIN.
  - ENVIRONMENTAL
    - TEMPERATURE RANGE -25°C ~ +85°C

USCX-14FX-XXDX-02

- 1-G.P
- 2-RoHS
- 3-REACH
- 4-HF/无卤
- 1-卷带包装
- 2-PVC盒

- B-半金雾锡 1u"
- D-半金雾锡 5u"
- F-半金雾锡 15u"
- H-半金雾锡 30u"

- N-可焊镍
- S-雾锡
- T-亮锡
- A-金
- K-黑色
- N-本色

东莞市溪榜电子有限公司  
DONG GUAN XIBANG ELECTRONICS CO., LTD.

TOLERANCE:  
X.X ±0.30  
X.XX ±0.20  
X.XXX ±0.10  
X.XXX ±0.10  
X.XXX ±0.10  
X.XXX ±0.10  
X.XXX ±0.10  
X.XXX ±0.10  
X.XXX ±0.10

UNIT: mm [inch]

SCALE: 1:1 SIZE: A4

DRAWN BY : DATE :  
CHECKED BY: DATE :  
APPROVED BY: DATE :

PART NAME:  
**TYPE-C 14P母座立式插板H10.5**

PART NO.	SEE TABLE
MOLD NO.	
DRAW NO.	
SHEET NO.	1 OF 1