

NOTES :

特性: Specifications

电器 Electrical:

- 接触阻抗: 初始最大不超过40mΩMax, 测试后变化值不超过10mΩMax
- 耐电压: AC200V 60S/MIN, 0.5mA Max; DC500V, 60S/MIN, 100ΩMax
- 绝缘阻抗: 100M ohms MIN
- 额定电流: 2A MAX
- 额定电压: 10V MAX

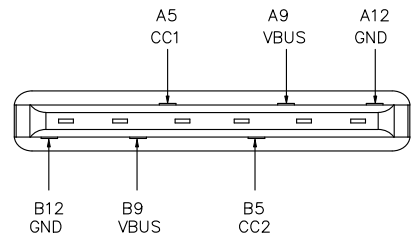
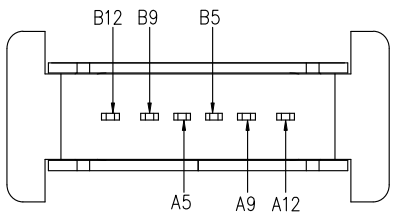
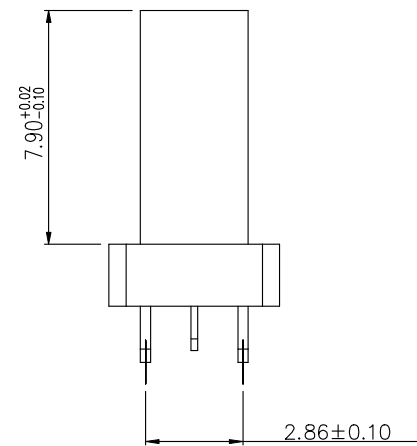
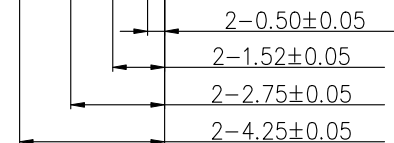
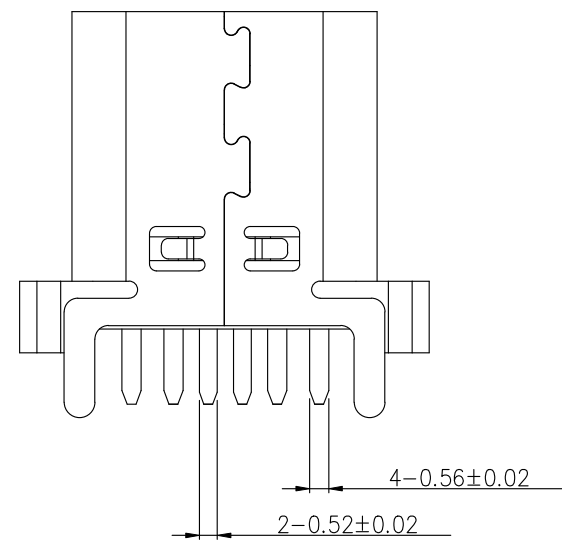
材料: Material:


- Molding: LCP料黑色耐高温塑胶
- 端子: C2680 T=0.20mm
- 外壳: SUS201 T=0.30mm

电镀规格:

- 端子: 半金锡, 接触点镀金1u", 焊线处镀雾锡40-80u"
- 外壳: 镀镍80u"

环保要求: ROHS, REACH 标准



东莞市溪榜电子有限公司 DONG GUAN XIBANG ELECTRONICS CO., LTD.			
TOLERANCE: X X ±0.30 X X ±0.20 X XXX ±0.10 X . ±0.10 X . ±0.05 X . ±0.02	DRAWN BY :	DATE :	PART NAME:
			2015.08.18 TYPE-C6PIN立式插板H9.3-15.0
 UNIT: mm [inch]	CHECKED BY :	DATE :	PART NO. SEE TABLE
			2015.08.18
SCALE: 1:1 SIZE: A4	APPROVED BY :	DATE :	MOLD NO.
	08.18		DRAW NO. 2015.
			SHEET NO. 1 OF 1