

规格说明: Specifications:

电气特性: Electrical:

1. 额定电流: Current Rating  
1.5A/contact terminal
2. 额定电压: Voltage Rating  
30V DC
3. 接触阻抗: Contact Resistance  
30 milliohms MAX
4. 耐电压: Dielectric Withstanding Voltage:  
500 V AC AT Sea Level
5. 绝缘阻抗: Insulation Resistance:  
1000MEGA ohms MIN

1. 插拔力: Connector Mate and Unmate Force  
Mate force: 3.57kgf(MAX)  
Unmate force: 1.02kgf(MIN)
2. 端子保持力: Terminal Retention  
1.0kgf(MIN)

1. 塑胶: Housing:  
Hing Temperature Thermoplastics,

2. 端子: Contact: Copper Alloy C2680

3. 外壳: Shell: Copper Alloy C2680/SPCC

电镀: Finish:

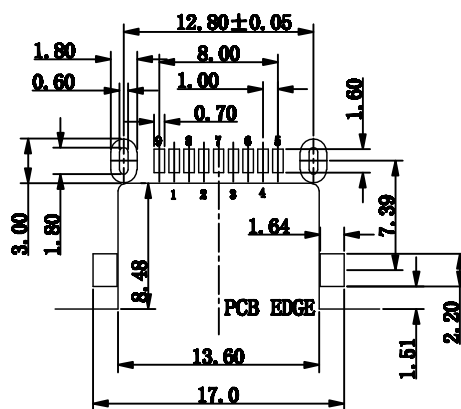
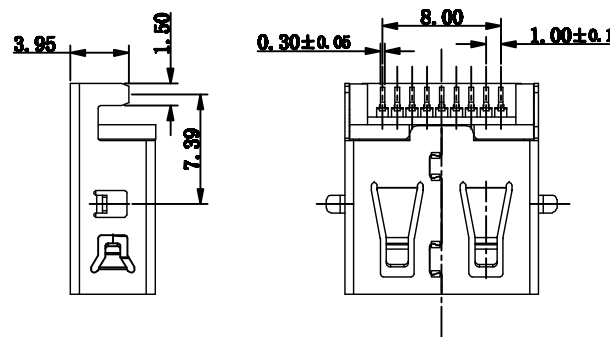
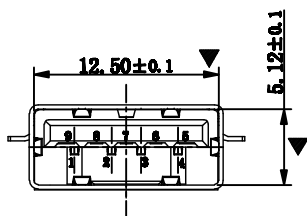
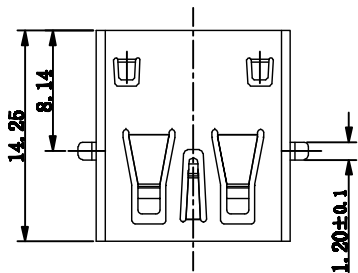
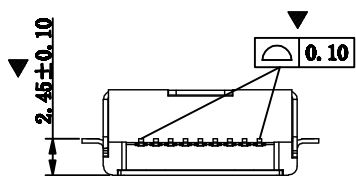
1. 端子: Contact: Plated Gold in Mating Area;  
Tin On Solder Tails

端子四周镀30-50U"(MIN)锡, "镀金1U"

2. 外壳: Shell:

铁壳四周镀80U"(MIN)锡, 铜壳四周镀60-80U"(MIN)镍

Nickel Plating



RECOMMENDED PCBA LAYOUT  
(TOLERANCE: ±0.05)

Pin NUMBER	SIGNAL NAME
1	VBUS
2	D-
3	D+
4	GND
5	StdA_SSRX-
6	StdA_SSRX+
7	GND_DRAIN
8	StdA_SSTX-
9	StdA_SSTX+
Shell	Shield

<b>东莞市溪榜电子有限公司</b> DONG GUAN XIBANG ELECTRONICS CO., LTD.			
TOLERANCE: X X ±0.30 X XX ±0.20 X XXX ±0.10 X . ±0.10 . X ±0.05 . X ±0.05	DRAWN BY :	DATE :	PART NAME:
			2015.08.18
 UNIT: mm [inch] SCALE: 1:1 SIZE: A4	CHECKED BY :	DATE :	PART NO.   SEE TABLE
			2015.08.18
	APPROVED BY :	DATE :	DRAW NO.
		2015.08.18	SHEET NO.   1 OF 1