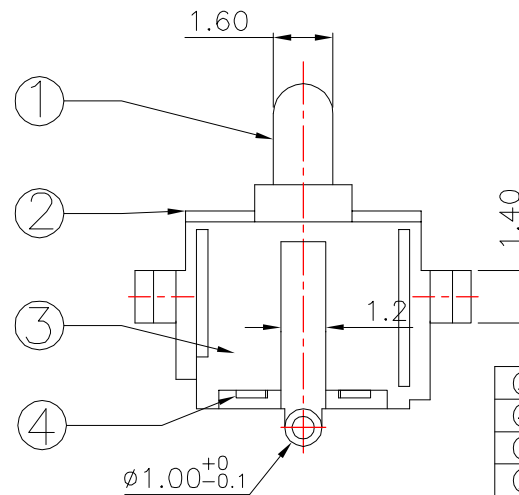
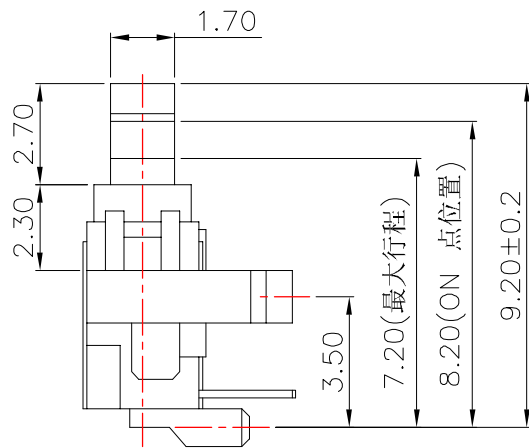


PCB Lavout(pattern side)



NOTE:
 Rating: DC 30V 0.1A
 Operating Force: 50±10gf
 Lifetime: 50,000 Cycles

ITEM	PART NAME	TER'NO.	QTY.	MATERIAL	FINISHING	REMARK
⑤	Spring	—	1	Beryllium copper	Ag Plated	—
④	Terminal	—	2	Phosphor Bronze	Ag Plated	—
③	Base	—	1	NYLON	Black	—
②	Cover	—	1	NYLON	Black	—
①	Slider	—	1	NYLON	Black	—

APPROVALS		DATE	东莞市溪榜电子有限公司 DONG GUAN XI BANG ELECTRONICS CO., LTD.			
DRAWN		2015.08.18	DETECTOR SWITCHS			
CHECKED		2015.08.18	PART NO.			
APPROVALS		2015.08.18	SCALE: 1:1			
TOLERANCES ARE	30~以上	±0.30	ANGLE	UNIT: mm	SCALE: 1:1	PROJ:
	10~30	±0.20				
	5~10	±0.15	±2'	DRAWING NO.	SHEET 1 OF 1	
	~ 5	±0.10				

ECN NO.	REV.	DATE.	DESCRIPTION.	CHANGE.	CHECK.	APPRO.
—	A	—	NEW	—	—	—